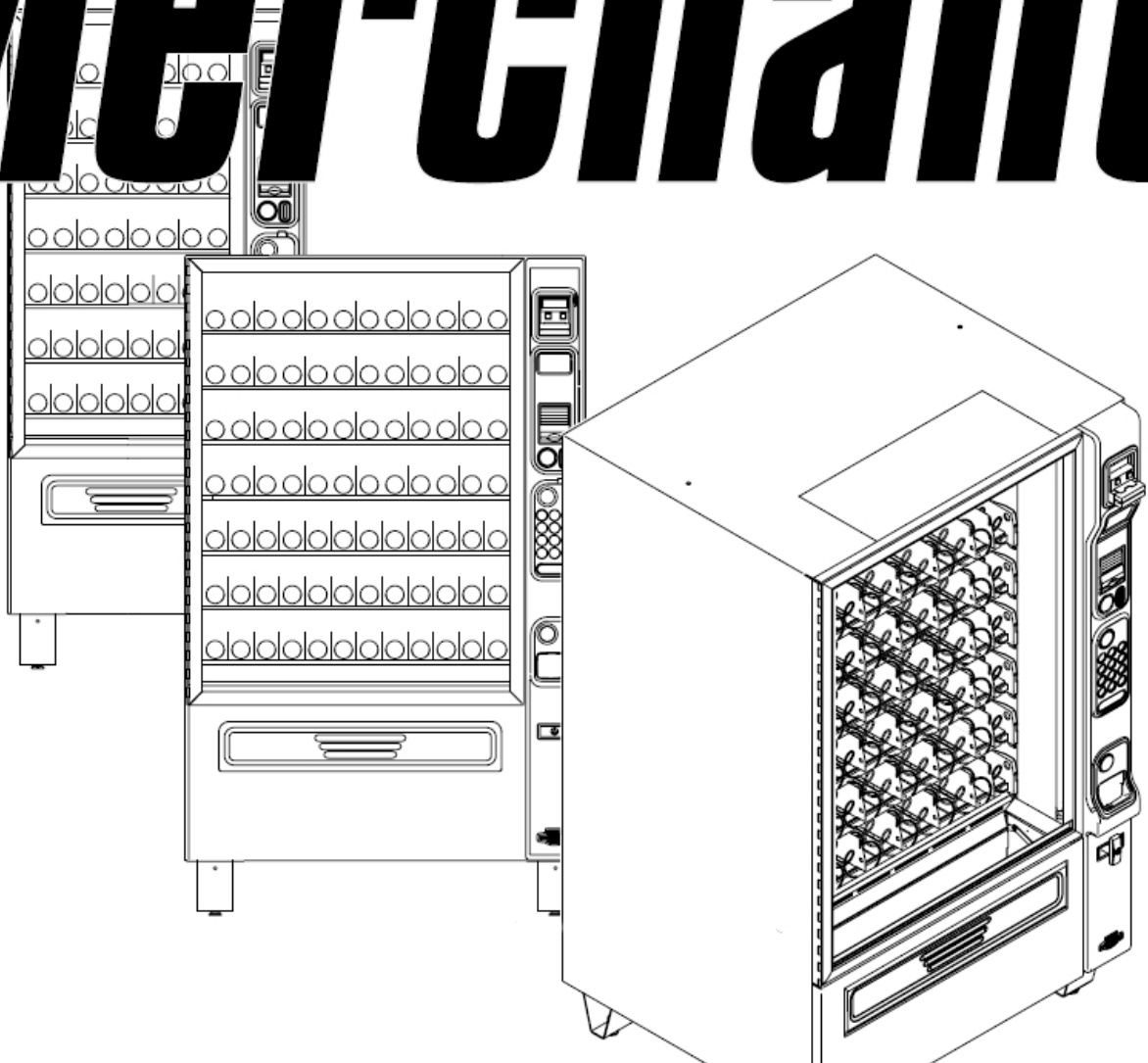


1810007

MODELS 180, 181, 980, 981



Merchant™



PARTS MANUAL

CRANE VENDING SOLUTIONS

12955 Enterprise Way
Bridgeton, Missouri 63044-1200
WWW.CRANEMS.COM

1810007

HOW TO ORDER PARTS

MODELS 180, 181

1. Refer to the machine breakdown above. Each assembly breakdown contains an item description and page location in this parts manual.
2. Determine part number(s) needed by referring to drawing of part. Locate item number from drawing and refer to item number, part number and description.
3. Complete your parts order, double check part numbers and quantities. Include a call back number in the event there is a question regarding your order. Fax, email or mail your order to National Vendors or place your order online at www.cranems.com.
4. Specify how you would like your order to be shipped. If you do not specify, we will ship the most economical way. In the case of warranty replacements, we reserve the right to determine the method of shipment.

Should you have questions pertaining to this manual or the vendor, please contact National Vendors or write directly to:

National Vendors
12955 Enterprise Way
Bridgeton, MO 63044 USA
314-298-3500 or 800-621-7278
314-298-3505 or 800 531 2580 (fax)
www.cranems.com

MODELS 980, 981

1. Refer to the machine breakdown above. Each assembly breakdown contains an item description and page location in this parts manual.
2. Determine part number(s) needed by referring to drawing of part. Locate item number from drawing and refer to item number, part number and description.
3. Complete your parts order, double check part numbers and quantities. Include a call back number in the event there is a question regarding your order. Fax, email or mail your order to your authorized AP distributor or AP.
4. Specify how you would like your order to be shipped. If you do not specify, we will ship the most economical way. In the case of warranty replacements, we reserve the right to determine the method of shipment.

Should you have questions pertaining to this manual or the vendor, please contact your AP distributor or write directly to:

Product Support Group
Automatic Products, A Crane Co. Company
165 Bridgepoint Drive
St. Paul, MN 55107 USA
651-288-2975 or 800-523-5932
651-288-2971 (fax)
www.automaticproducts.com

Monetary Door 2
Delivery Bin..... 4
Standard Door Lock 8
TRITEQ Lock 10
Monetary Door 12
Fluorescent Lighting..... 13
LED Lighting 14
Cabinet & Door 16
Cabinet 18
Main Controller..... 20
Motor Controller 22
Power Panel Assembly - Domestic (120v)..... 24
Power Panel Assembly - UK - 230V 26
Power Panel Assembly - France/Germany 230V 28
Power Panel Assembly - Japan - 100V - 50/60HZ 30
Snack Tray 32
Candy Tray 34
Squat Tray 36
Half Cycle Gum & Mint Sprial Assembly..... 37
Spiral Options 35” Deep Machine 38
Spiral Options 28” Deep Machine 38
Wire Harnesses 39
Bag Assembly Components..... 41

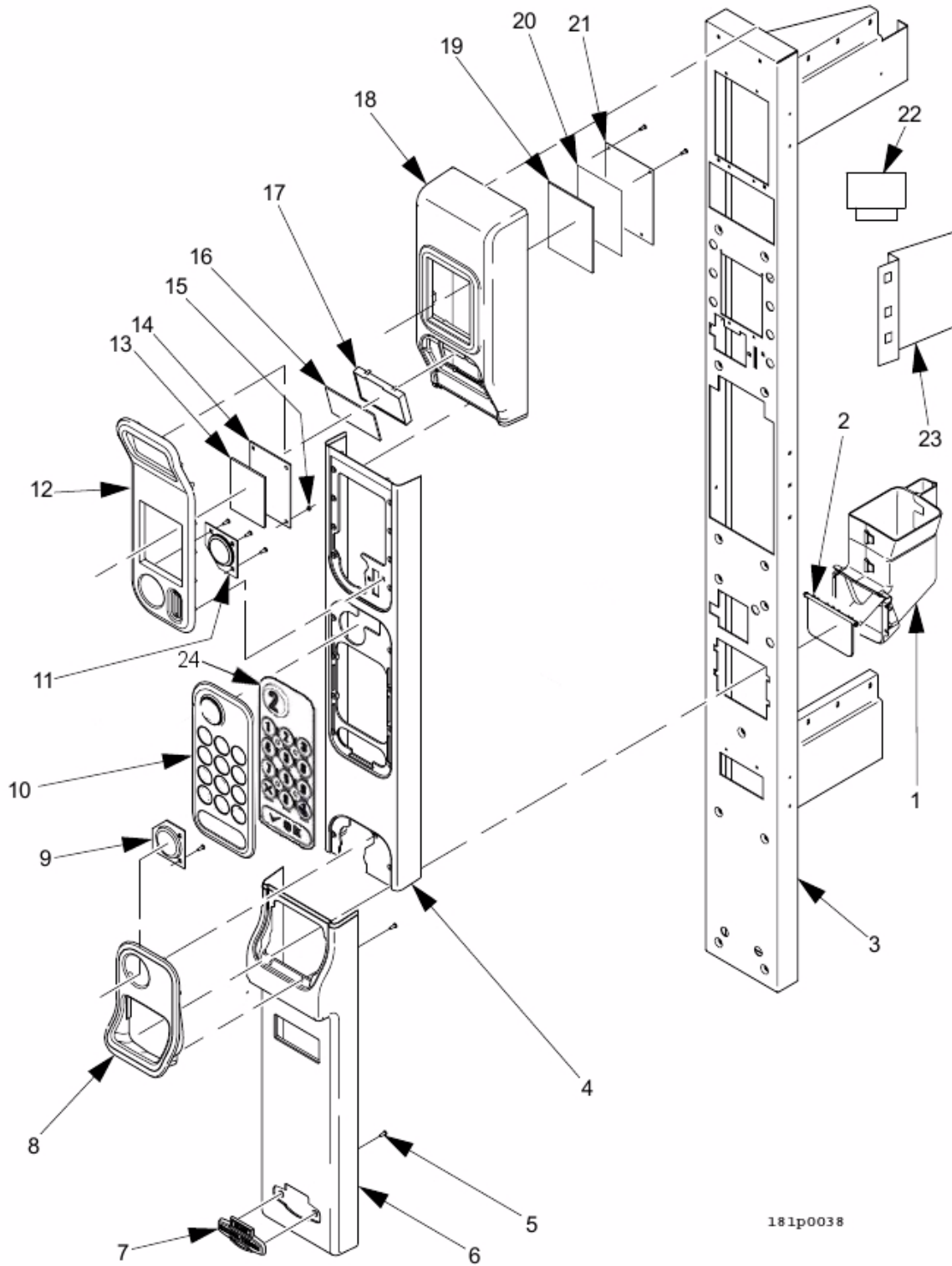


FIGURE 1: MONETARY DOOR

TABLE 1: MONETARY DOOR

INDEX	PART NUMBER	DESCRIPTION	QTY
1	1815111	COIN RTRN CHUTE ASSY-PLATINUM	1
2	1815110	COIN RETURN DOOR-PLATINUM	1
3	1815124	WELD ASSY-MONETARY PANEL	1
4	1815113	CLADDING-MIDDLE-PLATINUM	1
5	4747171	SCREW-#6-19 X .38 PHIL.PHS-T/C	
6	1815114	CLADDING-LOWER-PLATINUM	1
7	1815053	BADGE-CRANE N.V.	1
	9815053	BADGE-CRANE A.P.	--
8	1815109	COIN RETURN BEZEL-PLATINUM	1
9	1815021	PROCESS STEP 3 ASSEMBLY	1
10	1815108	KEYPAD BEZEL ONLY-PLATINUM	1
11	1815018	PROCESS STEP 1 ASSEMBLY	1
12	1815107	PAYMENT SYSTEM BEZEL-PLATINUM	1
13	1575035	INSERT-INSTR-LOWER-ENGLISH	1
14	4325163	PLATE-BACKING-INSERT	1
15	9900081	NUT #8-32 KEPS ZINC PLATE	
16	1815106	LENS-OPTREX, TEMPERED GLASS	1
17	1816006	ASSY DISP.OPX&INTRFC,MRCHNT	1
18	1815112	CLADDING-UPPER-PLATINUM	1
19	1815054	LENS-POP DISPLAY	1
20	1815121	POP INSERT-CHIP GUY	1
21	1815120	PLATE-BACKING-POS INSERT	1
22	1815038	ASSY-ELEC COINMECH RET	1
23	1815088	COVER-COIN MECH.	1
24	1815007	KEYPAD ASSY	

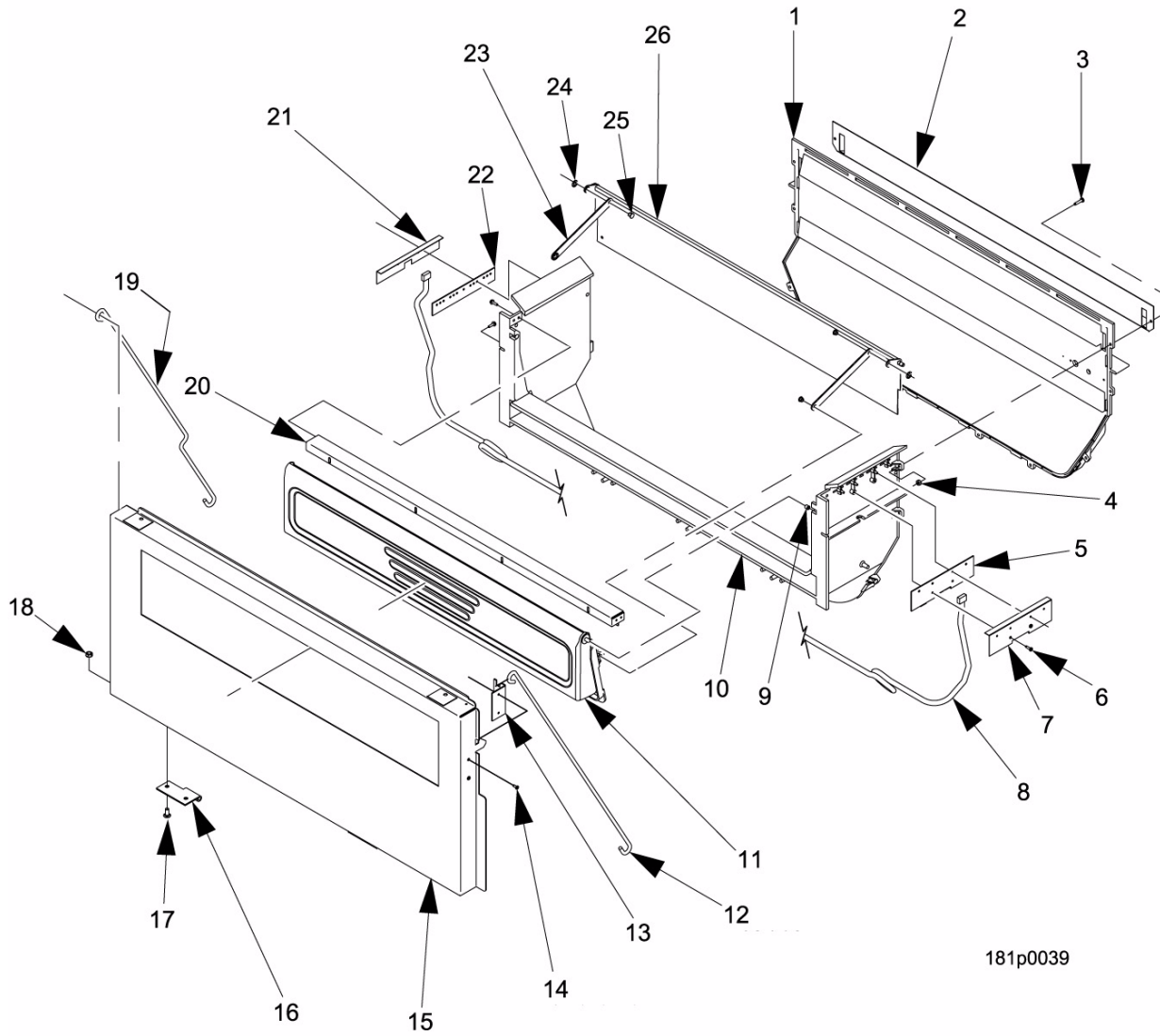
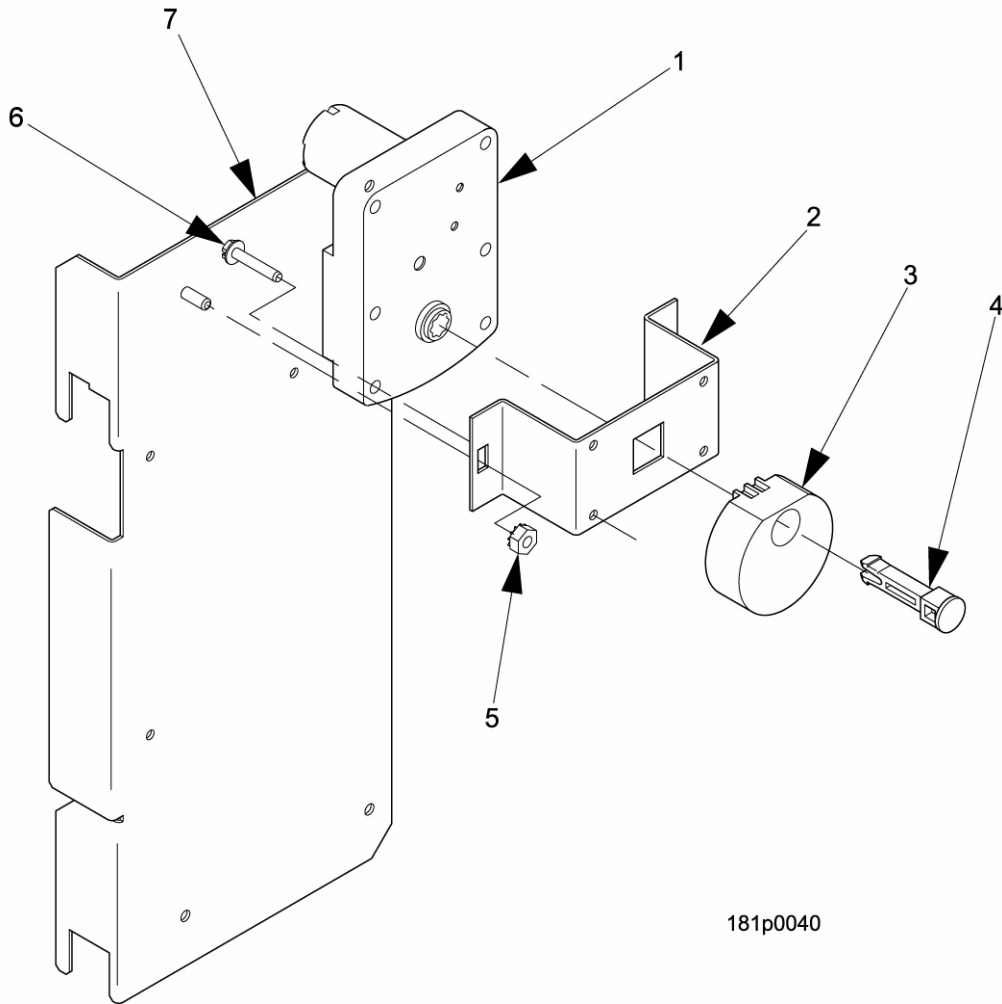


FIGURE 2: DELIVERY BIN

TABLE 2: DELIVERY BIN

INDEX	180/980	181/981	DESCRIPTION	QTY
1	1802002	1812002	BACK-DELIVERY BIN	1
2	--	1812040	STIFFENER-DELIVERY BIN	1
3	9900115	9900115	SCREW-#8-32 X 3/4 RHS	
4	9900081	9900081	NUT #8-32 KEPS ZINC PLATE	
5	1816016	1816016	PCB ASSY SUREVEND DETECTOR	1
6	1577008	1577008	SCREW-#6-19 X.50 PLASTITE PHS	
7	1812012	1812012	COVER-RECEIVER-SUREVEND	1
8	1679013	1679013	HARNESS-EMITTER TO DETECTOR	1
9	1812007	1812007	BEARING-SLEEVE	1
10	1802061	1812061	FRONT-DELIVERY BIN	1
11	1802058	1812058	DEL DOOR ASSY-AMB	1
12	1811072	1811072	ROD-STOP-DELIVERY DOOR	1
13	1812059	1812059	BRACKET-DEL DOOR RH	1
14	1451097	1451097	SCREW-#8-32X.31 HEX HD.TF-BLK.	
15	1802056	1812056	DOOR PANEL-PLATINUM	1
16	1812035	1812035	HINGE-DEL. DOOR-FEMALE	1
17	AP420295	AP420295	CARRIAGE BOLT-SHORT-SQ NECK	4
18	AP438-41	AP438-41	1/4-20 KEPS NUT ZN	
19	1811082	1811082	ROD-STOP-DEL DOOR-L/H	1
20	1802017	1812017	BAR-SPANNER-DEL BIN	1
21	1812011	1812011	COVER-EMITTER-SUREVEND	1
22	1816011	1816011	PCB ASSY SUREVEND EMITTER	1
23	1812008	1812008	LINKAGE-VEND DOOR	1
24	9900425	9900425	RETAINING RING REINF E TYP.250	
25	1812009	1812009	PIN-PIVOT-SHORT	1
26	1802063	1812063	WELD ASSY-REAR-VEND FLAP	1
27	1812010	1812010	PIN-PIVOT-LONG (NOT SHOWN)	

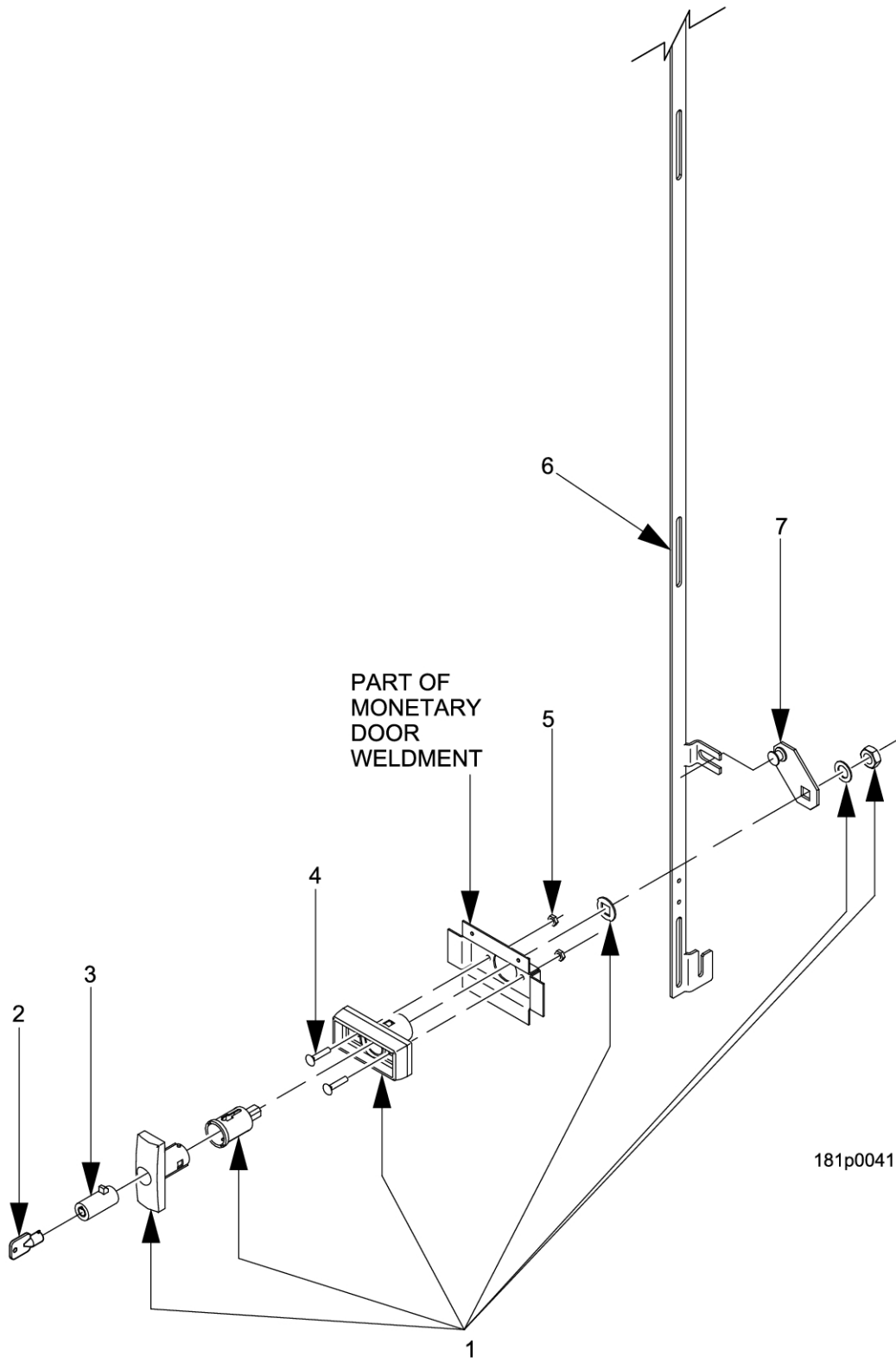


181p0040

FIGURE 3: COIN RETURN

TABLE 3: COIN RETURN

INDEX	PART NUMBER	DESCRIPTION	QTY
1	1577038	MOTOR & PC BOARD ASSEMBLY	1
2	1815039	BRKT-COIN RET MOTOR	1
3	1815028	CAM-COIN RETURN	1
4	4407712	COUPLING-MOTOR	1
5	9900081	NUT #8-32 KEPS ZINC PLATE	2
6	1457027	SCREW-#8-32 X .81 HEX HD.-T/F	2
7	1815036	ASSY-COINMECH MOUNT	1



181p0041

FIGURE 4: STANDARD DOOR LOCK

TABLE 4: STANDARD DOOR LOCK

INDEX	PART NUMBER	DESCRIPTION	QTY
1	1815118	LOCK ASSY-"T"	1
2	9994400	KEY-400	1
3	9995400	LOCK CYLINDER ASSY-KEY 400	1
4	4247114	CARRIAGE BOLT-#10-24-ROLLER ST	2
5	4307029	NUT-#10-24 SELF-LOCKING	2
6	1815096	BAR-LOCK	1
7	1815097	ASSY-LOCK ACTUATOR	1

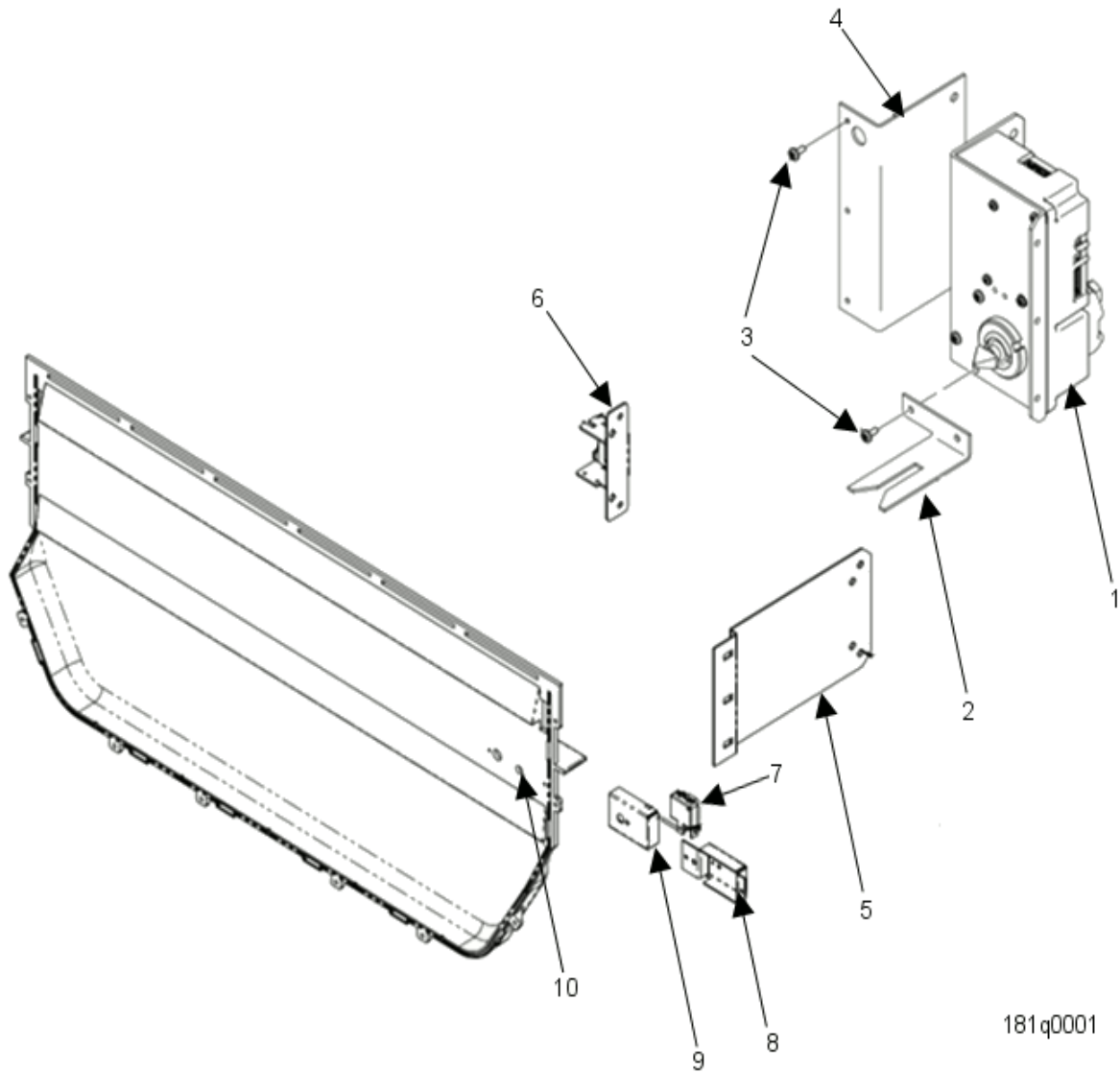


FIGURE 5: TRITEQ LOCK

TABLE 5: TRITEQ LOCK

INDEX	180/980	181/981	DESCRIPTION	QTY
1	1811084	1811084	COLUMN ASSY WITH CPU-TRITEQ	1
2	1811066	1811066	BRKT-GUIDE-TRITEQ LOCK PLATE	1
3	3157060	3157060	SCREW-#8-32X.31 HEX W/HD.-TF	8
4	1811068	1811068	BRKT ASSY-MTG-TRITEQ LOCK	1
5	1815072	1815072	BRKT ASSY-LOCK PLATE-TRITEQ	1
6	1815099	1815099	RECEPTACLE-TRITEQ	1
7	1816018	1816018	SENSOR ASSY-TRITEQ	1
8	1812046	1812046	BRKT-MTG-TRITEQ LOCK SENSOR	1
9	1812044	1812044	COVER-TRITEQ LOCK SENSOR	1
10	1802045	1812045	BACK-DEL. BIN-TRITEQ LOCK	1
11	1815104	1815104	LOCK PLUG PAINTED (NOT SHOWN)	1
12	1819026	1819026	WIRE HARNESS-TRITEQ (NOT SHOWN)	1

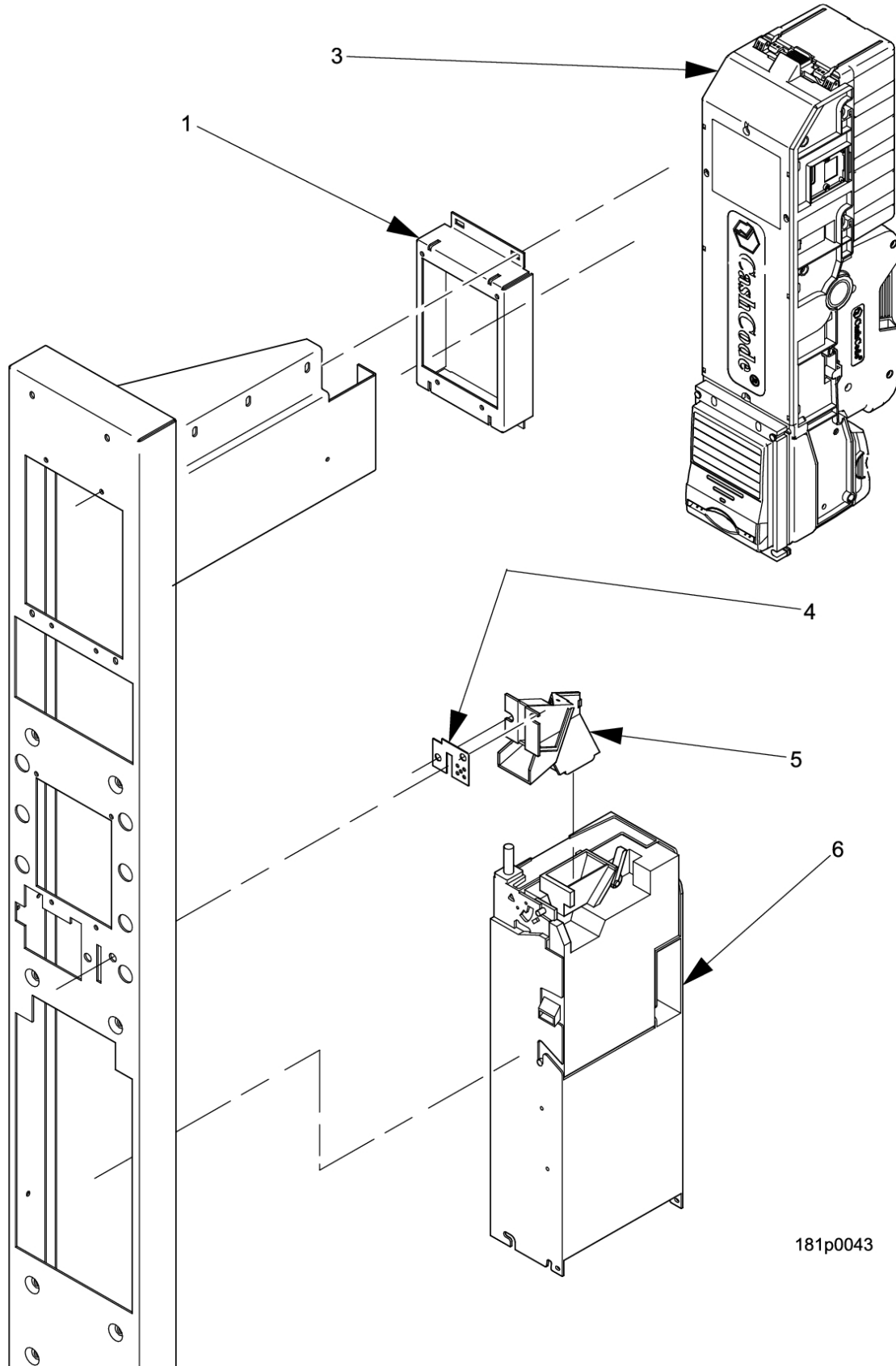
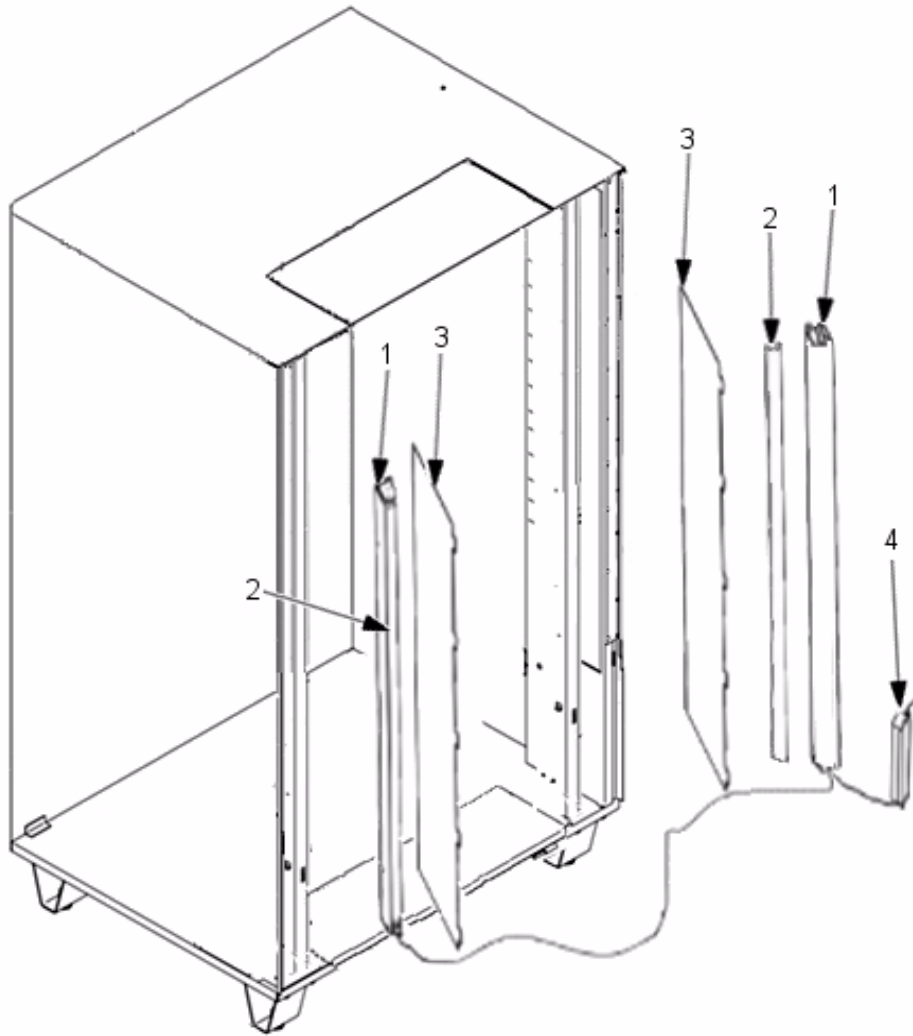


FIGURE 6: MONETARY

TABLE 6: MONETARY

INDEX	PART NUMBER	DESCRIPTION	QTY
1	1815084	ASSY-READER-BRKT	1
	1815120	BRACKET-POP DISPLAY (NOT SHOWN)	1
2	9900081	NUT #8-32 KEPS ZINC PLATE (NOT SHOWN)	
3	5900453	CASH CODE RECYCLER	1
4	1671041	COIN BLOCK-50 CENTS	1
5	1575003	COIN CHUTE ASSEMBLY	1
6	5900514	CURRENZA C2 COIN MECHANISM	1
7	3157060	SCREW-#8-32X.31 HEX W/HD.-TF - (NOT SHOWN)	4

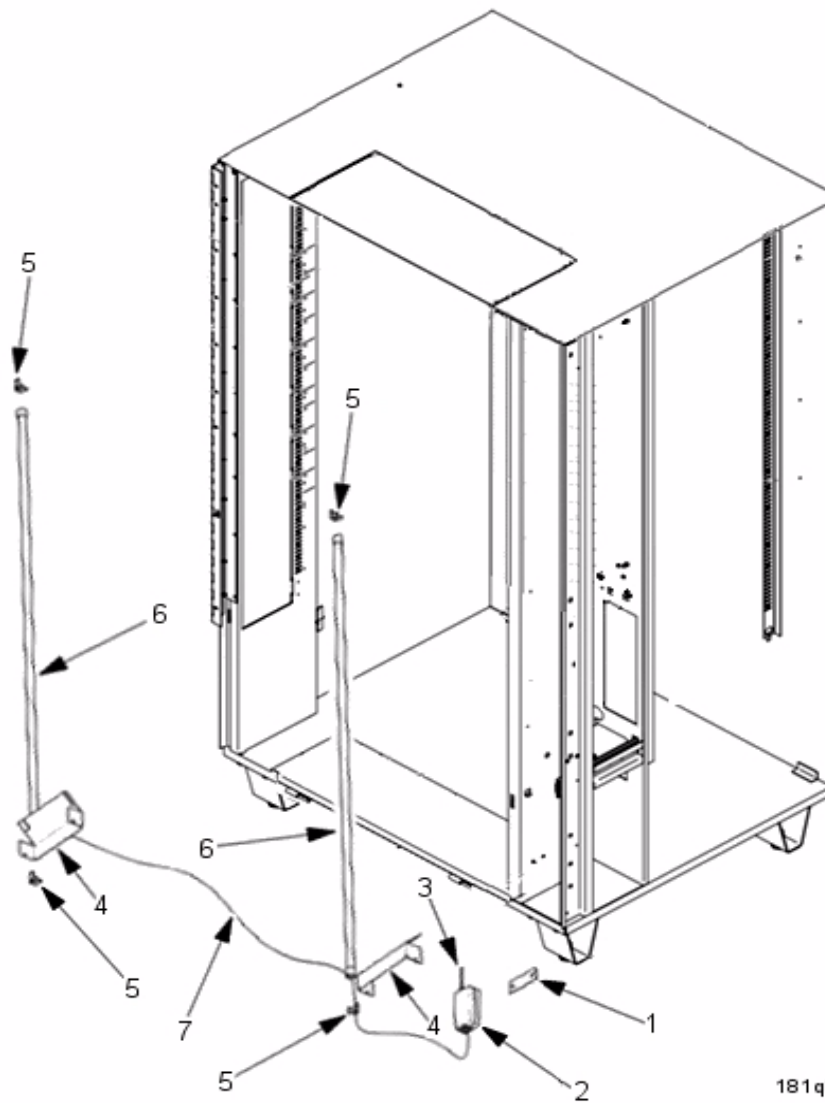


181q0008

TABLE 7: FLUORESCENT LIGHTING

FIGURE 7: FLUORESCENT LIGHTING

INDEX	PART NUMBER	DESCRIPTION	QTY
1	1811073	LIGHT BRACKET ASSY-32 W	2
2	4322065	LAMP-FLUORESCENT-32 WATT	
3	1811096	ASSY-DIFFUSER-FLUOR. LIGHT	2
4	1819019	HARNESS-BALLAST 2X32T8	1
5	1811076	COVER-FLUORESCENT LAMP ASM (NOT SHOWN)	1



181q0007

FIGURE 8: LED LIGHTING

TABLE 8: LED LIGHTING

INDEX	PART NUMBER	DESCRIPTION	QTY
1	9331026	PLATE-MNTG-LED PWR SUP	1
2	1672178	POWER-SUPPLY-36 W	1
3	9985051	CORD-DETACHABLE-SMPS	1
4	1811099	DEFLECTOR-PRODUCT-LED	2
5	1672177	ASSY-MTG-CLIP-ADJ-LED	4
6	1811085	ASSY-48 LED-1200MM	2
7	4329069	HARNESS-LED-LIGHTING	1

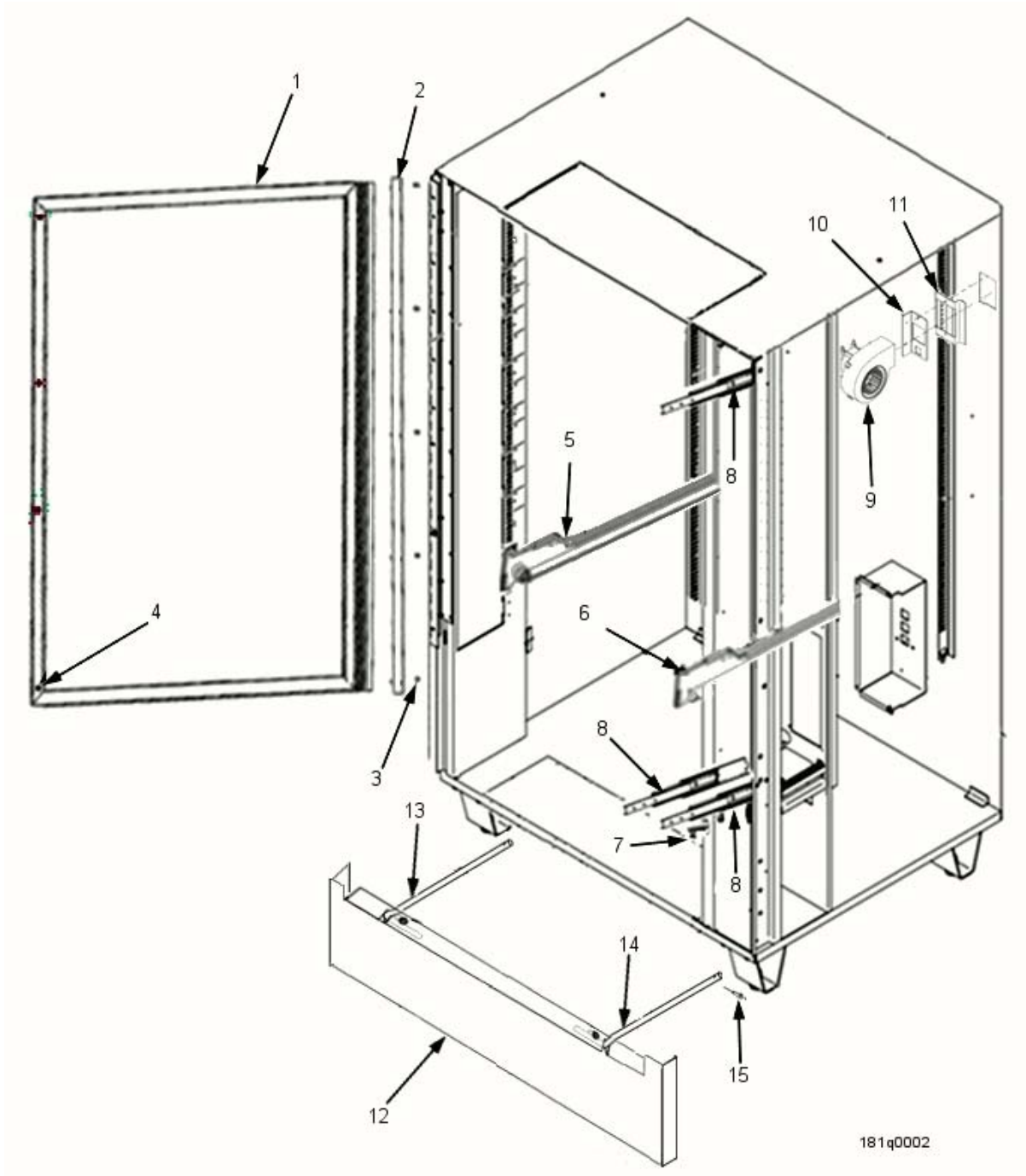
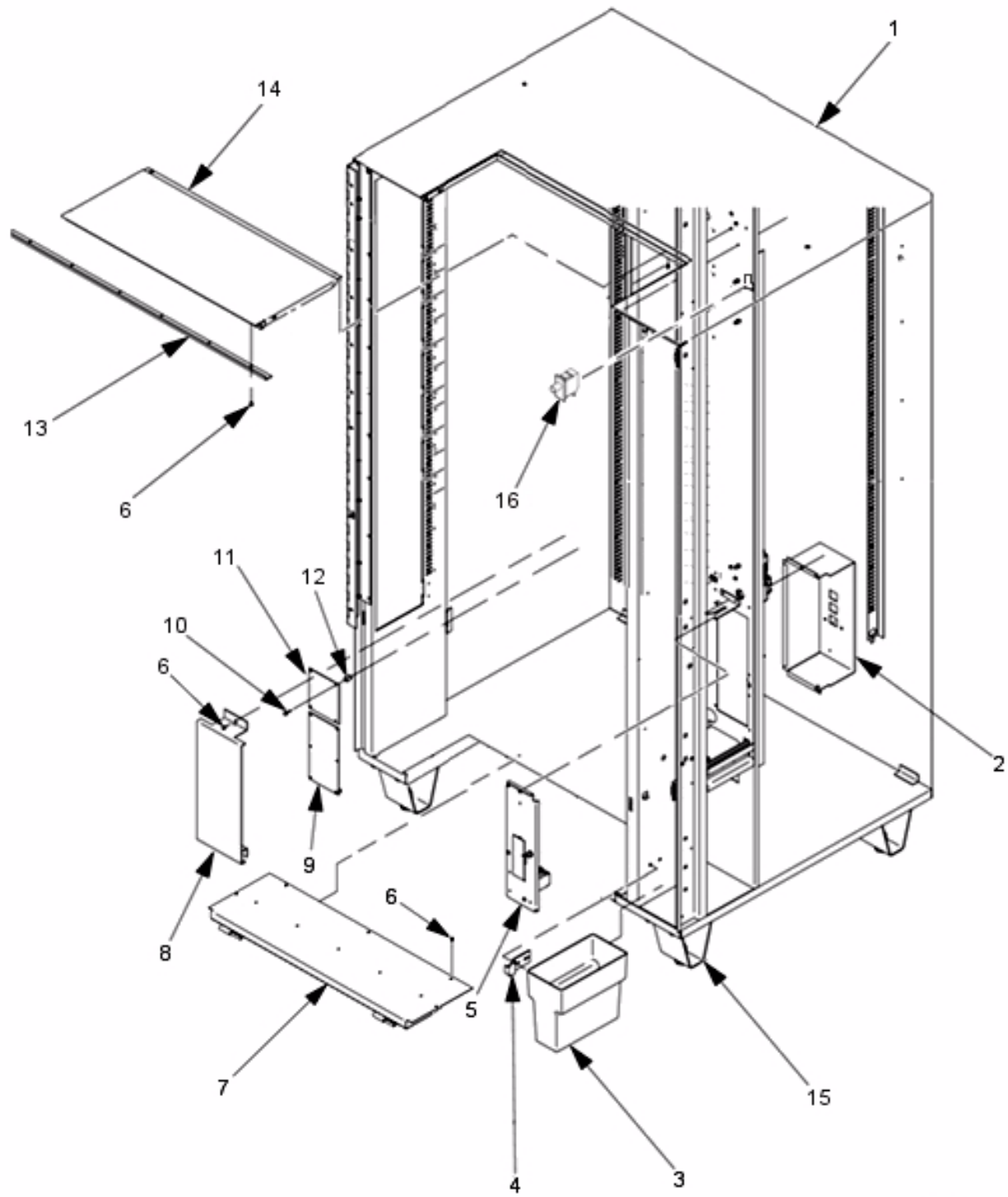


FIGURE 9: CABINET & DOOR

TABLE 9: CABINET & DOOR

INDEX	180/980	181/981	DESCRIPTION	QTY
1	1802057	1812057	DOOR-GLASS ASSY	1
--	1802055	1812055	DOOR-POLYCARBONATE ASSY-6WIDE	OPT
2	1812060	1812060	SHIM, DOOR	1
3	9900020	9900020	SCREW-#8-32X1/2 RHS MACH.ZINC	
4	W953	W953	PAD,R,FELT,.50DIAX.12,BLK	4
5	1817014	1817014	TRAY RAIL ASM-L/H W/ROLLER	
6	1817012	1817012	TRAY RAIL ASM-R/H W/ROLLER	
7	1811100	1811100	LATCH-DELIVERY DOOR	1
8	1811090	1811090	SLIDE-MONETARY	3
9	6331073	6331073	BLOWER ASSY-120V	1
10	1471398	1471398	BRACKET-EXHAUST FAN	1
11	1471054	1471054	BRACKET & SCREEN ASSY-EXHAUST	1
--	3157060	3157060	SCREW-#8-32X.31 HEX W/HD.-TF (NOT SHOWN)	2
12	1800815	1810815	BASE PLATE & ACCYS ASM (INCLUDES NEXT 5 ITEMS)	OPT
--	1801049	1811049	BASE PLATE ONLY-"T" BLACK	1
13	4551153	4551153	SLIDE-BASE PLATE-LEFT HAND	1
14	4551154	4551154	SLIDE-BASE PLATE-RIGHT HAND	1
15	9900098	9900098	COTTER PIN 3/32 X 3/4 IN	2
--	4741050	4741050	SCREW-#8-32X.50 HX.HD.-T/F-BLK (NOT SHOWN)	2

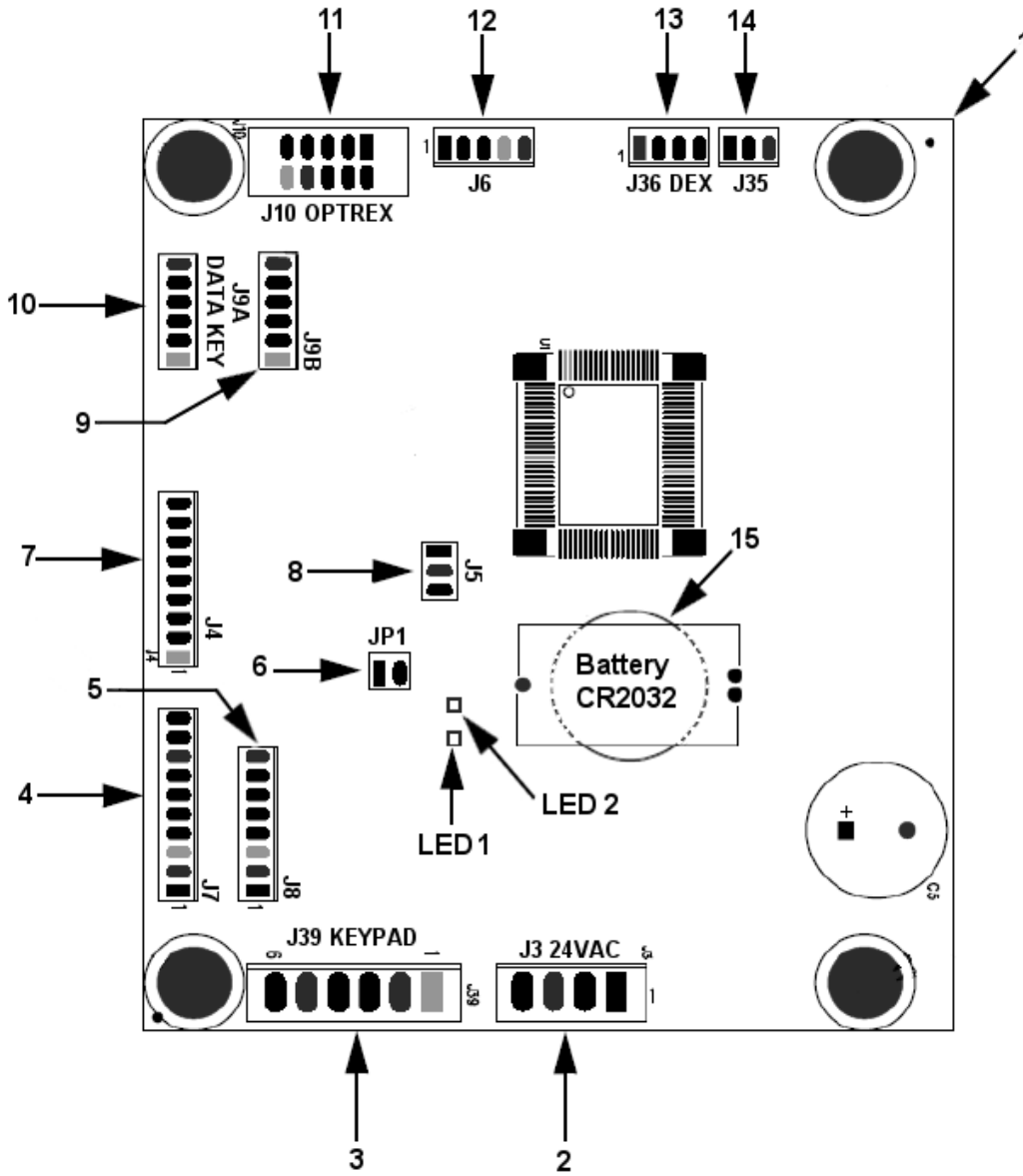


181q0045

FIGURE 10: CABINET

TABLE 10: CABINET

INDEX	180/980	181/981	DESCRIPTION	QTY
1	1801008	1811008	CAB ASSY-PTD-"T" BLACK	1
2	1671022	1671022	HOUSING-POWER PANEL	1
3	1811036	1811036	COIN BOX-9"X5"X10.25" TALL	1
4	1811007	1811007	ARM-LOCK	1
5	1811086	1811086	POWER PANEL ASSY-DOM-15A	1
6	3157060	3157060	SCREW-#8-32X.31 HEX W/HD.-TF	2
7	1801091	1811091	BOTTOM FILLER ASSY	1
8	1815062	1815062	PCB COVER	1
9	1816024	1816024	PCB ASSY MOTOR CNTL	1
10	1471199	1471199	SCREW-#8-18 X .62 HEX/WH.	2
11	1816026	1816026	MAIN CONT.PCB W/PROGRAM	1
12	1571034	1571034	STANDOFF-PCB-3/8 SCREW MOUNT	2
13	--	1811081	GUARD-VANDAL-FILLER-TOP	1
14	1801027	1811078	FILLER-TOP-GALVANIZED	1
15	P1811001	P1811001	LEG ASSY-COMPLETE-PAINTED	4
16	1401110	1401110	SWITCH-DOOR INTERLOCK	1



181q0009

FIGURE 11: MAIN CONTROLLER

TABLE 11: MAIN CONTROLLER

INDEX	PART NUMBER	DESCRIPTION	QTY
1	1816026	MAIN CONT.PCB W/ 2.00 & RC	1
2	1819013	HARNESS 24 VAC PCB	1
3	1819015	HARN MDB	1
4		NOT USED	--
5		NOT USED	--
6		JUMPER PLUG	--
7		NOT USED	--
8		NOT USED	--
9		NOT USED	--
10		DATA KEY PLUG IN	
11	1819030	HARNESS-M/CNTRL TO OPTREX	1
12		NOT USED	--
13	1819016	HARNESS-DEX PANEL MT	1
14		NOT USED	--
15	AP17100007	BATTERY-CR2032 (AVAILABLE LOCALLY)	1

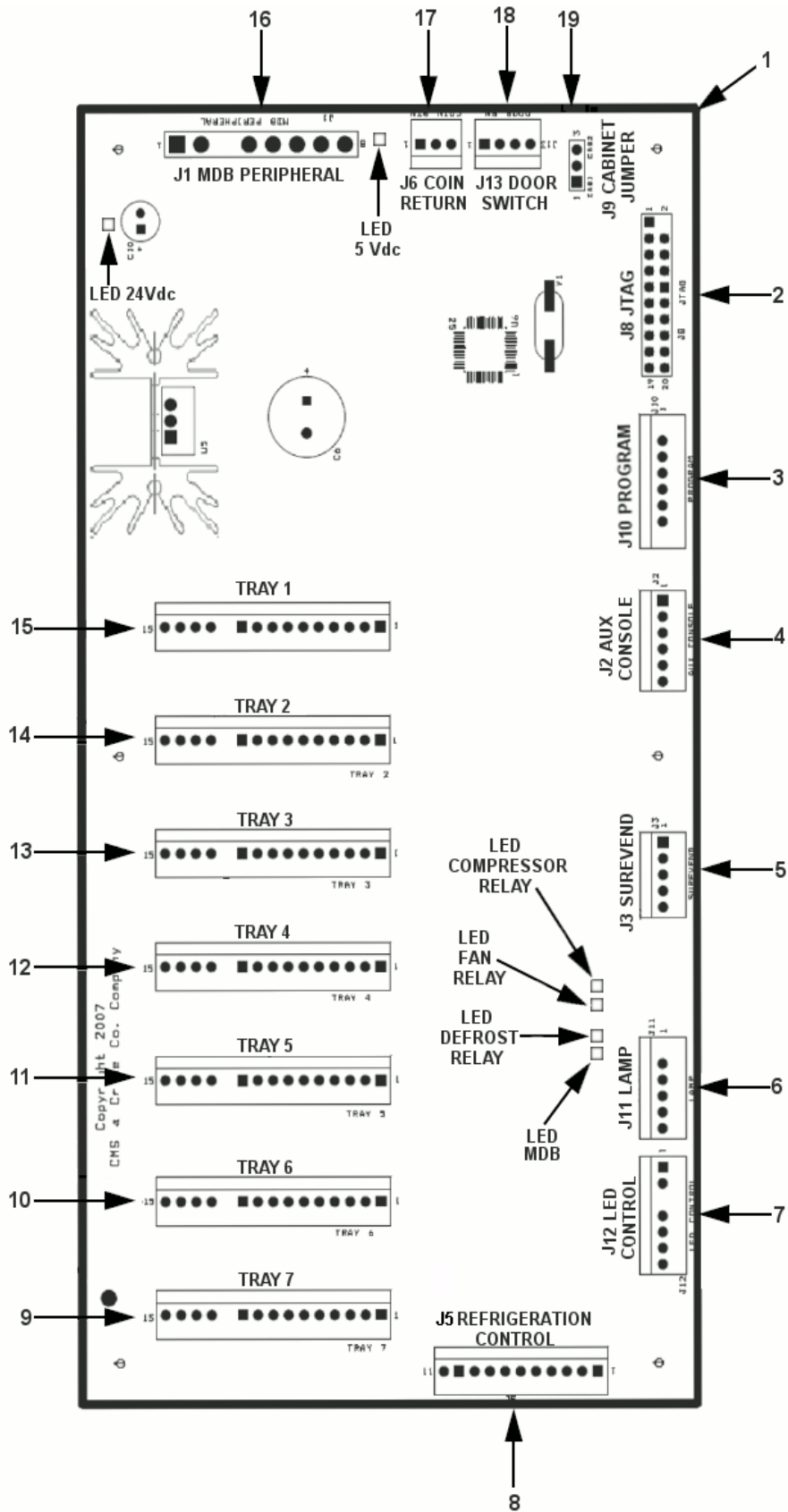
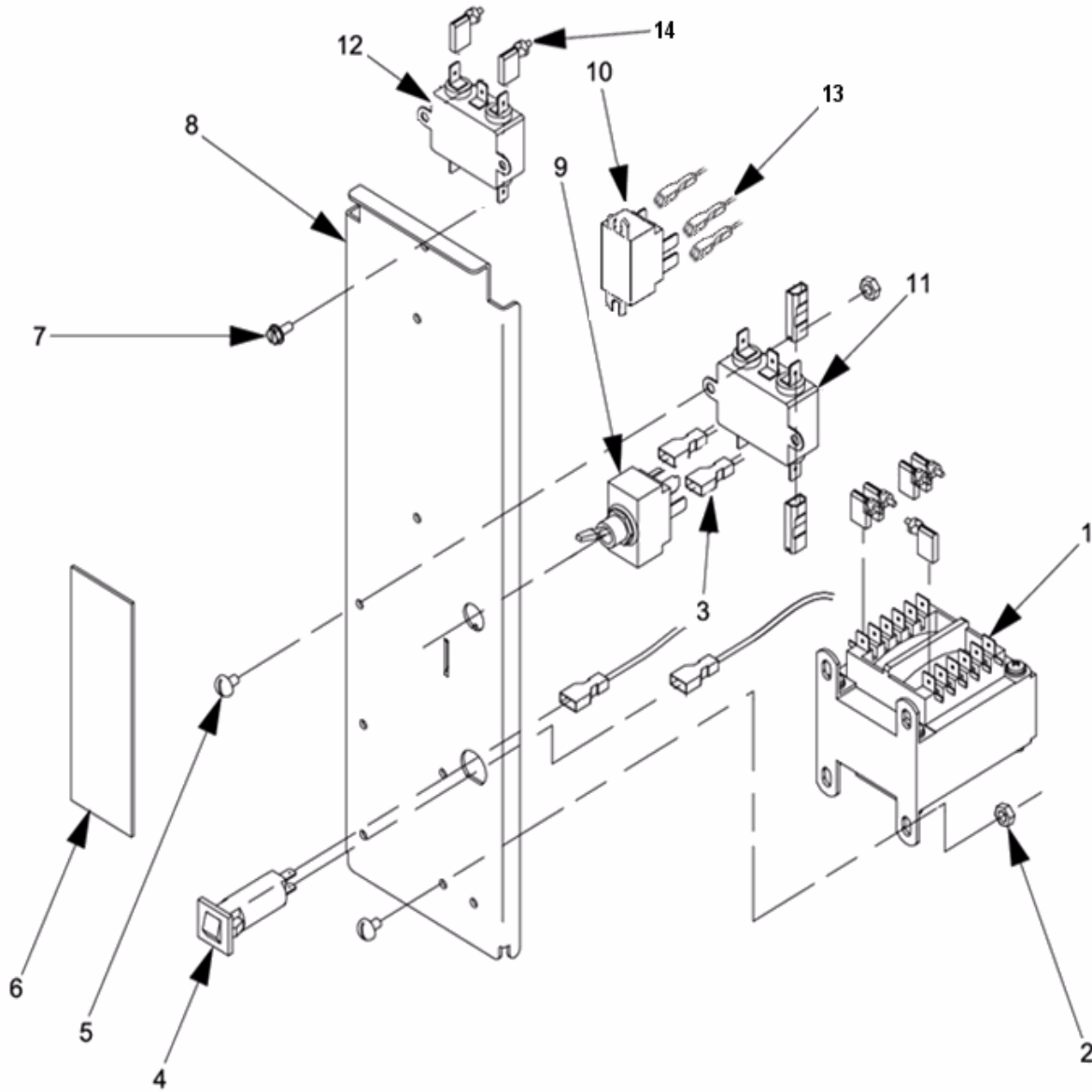


FIGURE 12: MOTOR CONTROLLER

TABLE 12: MOTOR CONTROLLER

INDEX	180/980	181/981	DESCRIPTION	QTY
1	1816024	1816024	PCB ASSY MOTOR CNTL	1
2	--	--	NOT USED	
3	--	--	NOT USED	
4	--	--	NOT USED	
5	1819007	1819007	HRN DRVR BRD SUREVEND	1
6	1819029	1819029	HARNESS-LAMP SS RELAY	1
7	--	--	NOT USED	
8	--	--	HARNESS-REFRIGERATION	
9	--	1819033	HARNESS-12 MTR TRAY-SHORT	
	1809008	--	HARNESS-8 MTR TRAY-SHORT	
10	--	1819032	HARNESS-6 MTR TRAY-SHORT	
	1809007	--	HARNESS-4 MTR TRAY-SHORT	
11	--	1819033	HARNESS-12 MTR TRAY-SHORT	
	1809008	--	HARNESS-8 MTR TRAY-SHORT	
12	--	1819033	HARNESS-12 MTR TRAY-SHORT	
	1809008	--	HARNESS-8 MTR TRAY-SHORT	
13	--	1819032	HARNESS-6 MTR TRAY-SHORT	
	1809007	--	HARNESS-4 MTR TRAY-SHORT	
14	--	1819032	HARNESS-6 MTR TRAY-SHORT	
	1809007	--	HARNESS-4 MTR TRAY-SHORT	
15	--	1819032	HARNESS-6 MTR TRAY-SHORT	
	1809007	--	HARNESS-4 MTR TRAY-SHORT	
16	1819015	1819015	HARN MDB	1
17	1819018	1819018	HARN COIN RETURN MOTOR	1
18	1819017	1819017	HARNESS-DOOR SWITCH	1
19	--	--	NOT USED	



181p0046

FIGURE 13: POWER PANEL

TABLE 13: POWER PANEL ASSEMBLY - DOMESTIC (120V)

INDEX	FLUORESCENT PART NUMBER	LED PART NUMBER	DESCRIPTION	QTY
--	1811086	1811086	POWER PANEL ASSEMBLY - DOMESTIC	1
1	9989046	9989046	TRANSFORMER-24V-DUAL PIR.-.187 TERM	1
2	9900081	9900081	NUT #8-32 KEPS ZINC PLATE	6
3	1819025	1819025	CORD-US-15A 18AWG INL GFCI	1
4	9989674	9989674	CIRCUIT BREAKER-4 AMP	1
5	1211110	1211110	8-32X1/4 RHS MACH SCR ZP	6
6	1701038	1701038	LABEL-POWER CONT.PNL-115V U.S.	1
7	3157060	3157060	SCREW-#8-32X.31 HEX W/HD.-TF	
8	1701037	1701037	PLATE-HOUSING-PNL(CP)	1
9	9984629	9984692	SWITCH-TOGGLE-DPST-20AMP	1
10	AP16700030	AP16700030	RELAY-LIGHT24V 20/25A	1
--	9900107	9900107	SCREW-#6-32 X 5/16-RHS-W/LKW	2
--	9900078	9900078	NUT #6-32 KEPS ZINC PLATE	2
11	9989100	9989100	INTERFERENCE FILTER	1
12	--	AP380303	FILTER-LIGHT	1
13	1819029	1819029	HARNESS-LAMP SS RELAY	1
14		1819031	HARNESS-MNL TO .25 FASTON	1

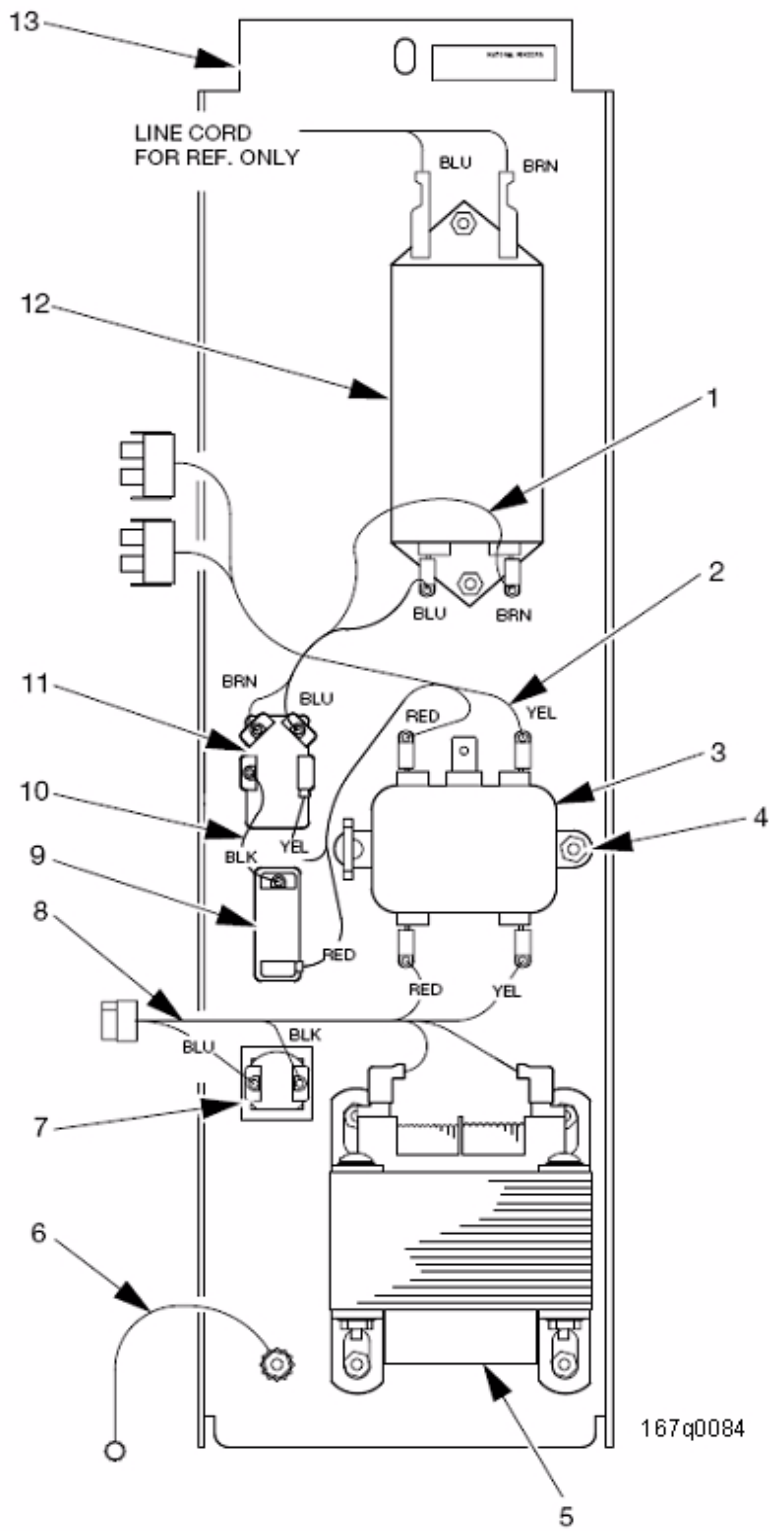
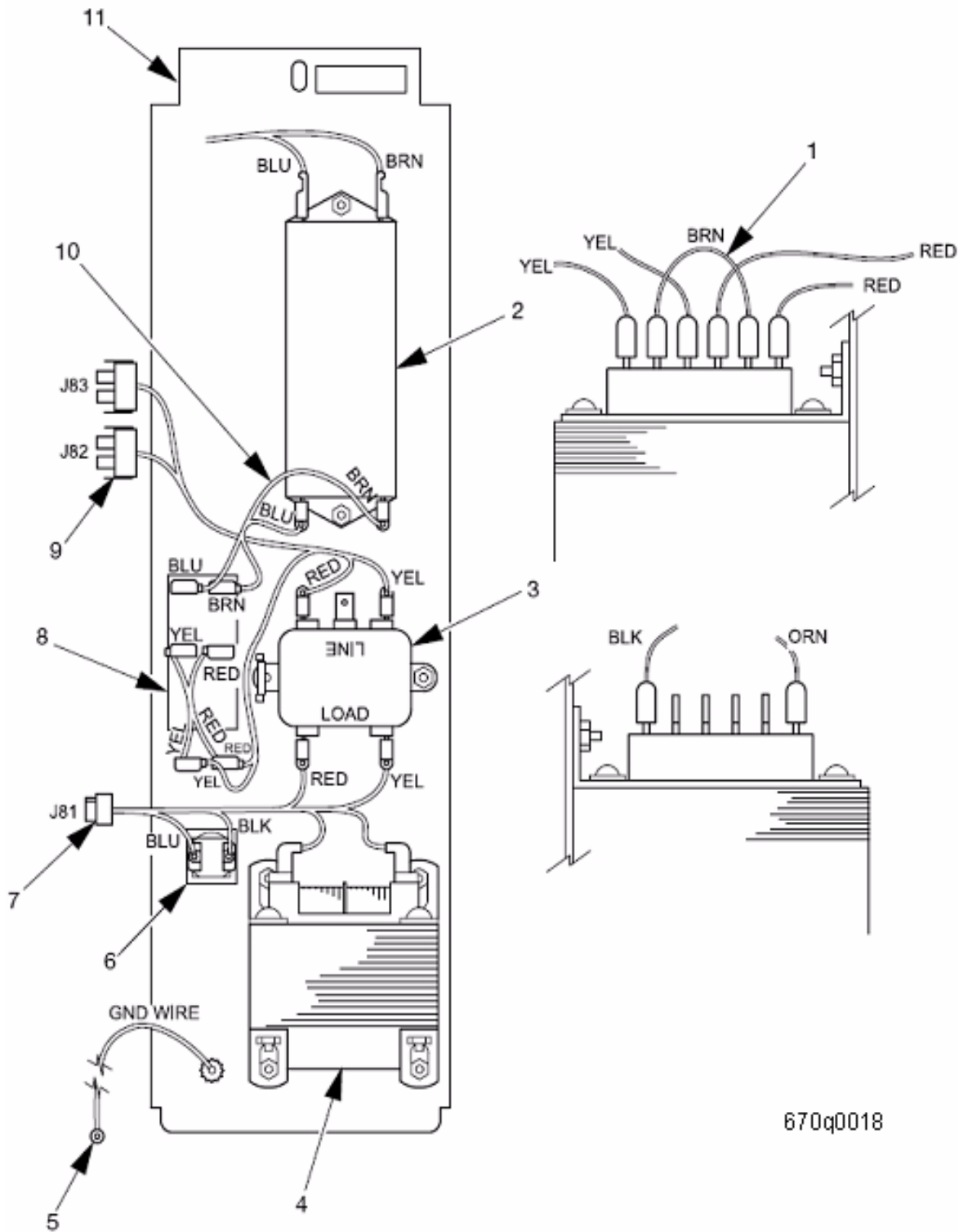


FIGURE 14: POWER PANEL ASSEMBLY - U.K - 230V

TABLE 14: POWER PANEL ASSEMBLY - UK - 230V

INDEX	PART NUMBER	DESCRIPTION	QTY
--	4521053	POWER PANEL ASSY-230V-U.K.	--
1	6849015	JUMPER-POWER SW	1
2	1679055	HARNESS-POWER PANEL	1
3	9989100	INTERFERENCE FILTER	1
4	9900081	NUT #8-32 KEPS ZINC PLATE	8
5	9989046	TRANSFORMER-24V-DUAL PIR.-.187 TERM.	1
6	9984094	WIRE-GROUND-14"	1
7	9989674	CIRCUIT BREAKER-4 AMP	1
8	1709001	JUMPER-TRANSFORMER-120V-PRM.	1
9	9989672	BREAKER-15 AMP	1
10	1709006	JUMPER-MAIN SWITCH TO BREAKER	1
11	9984629	SWITCH-TOGGLE-DPST-20AMP	1
12	9989120	FILTER-POWER LINE-EMI	1
13	1701037	PLATE-HOUSING-PANEL	1



670q0018

FIGURE 15: POWER PANEL ASSEMBLY - FRANCE/GERMANY - 230V

TABLE 15: POWER PANEL ASSEMBLY - FRANCE/GERMANY 230V

INDEX	PART NUMBER	DESCRIPTION	QTY
--	4521041	POWER PANEL ASSY-230V FR/GER	--
1	4279001	JUMPER-230V-XFMR PRIMARY	1
2	9989120	FILTER-POWER LINE-EMI	1
3	9989100	INTERFERENCE FILTER	1
4	9989046	TRANSFORMER-24V-DUAL PIR.-.187 TERM	1
5	9984094	WIRE-GROUND-14"	1
6	9989674	CIRCUIT BREAKER-4 AMP	1
7	1709001	JUMPER-TRANSFORMER-120V-PRM.	1
8	9984627	CIRCUIT BREAKER/SWITCH-16 AMP	1
9	1679055	HARNESS-POWER PANEL	1
10	6849015	JUMPER-POWER SW	1
11	4521036	PLT-HSNG-PNL-FR/GER.(CP7-7)	1

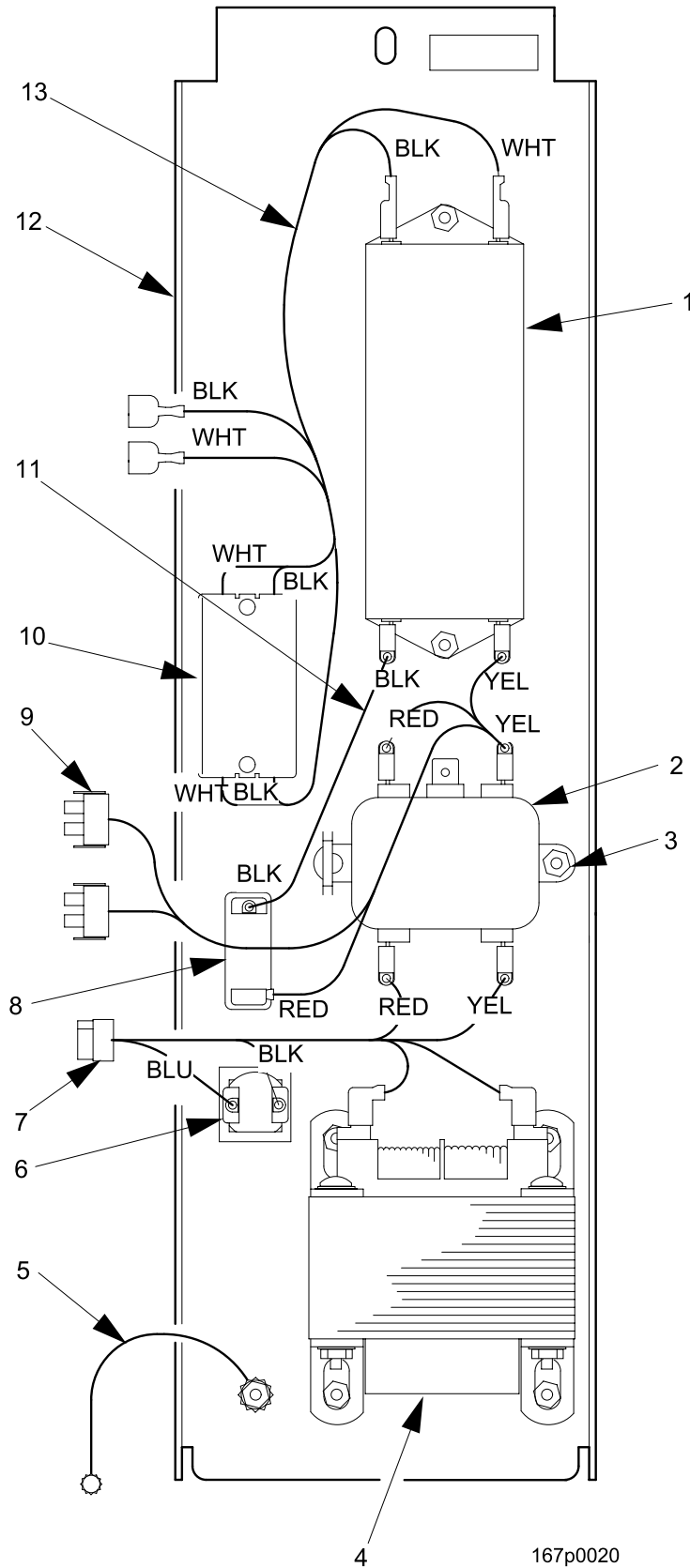
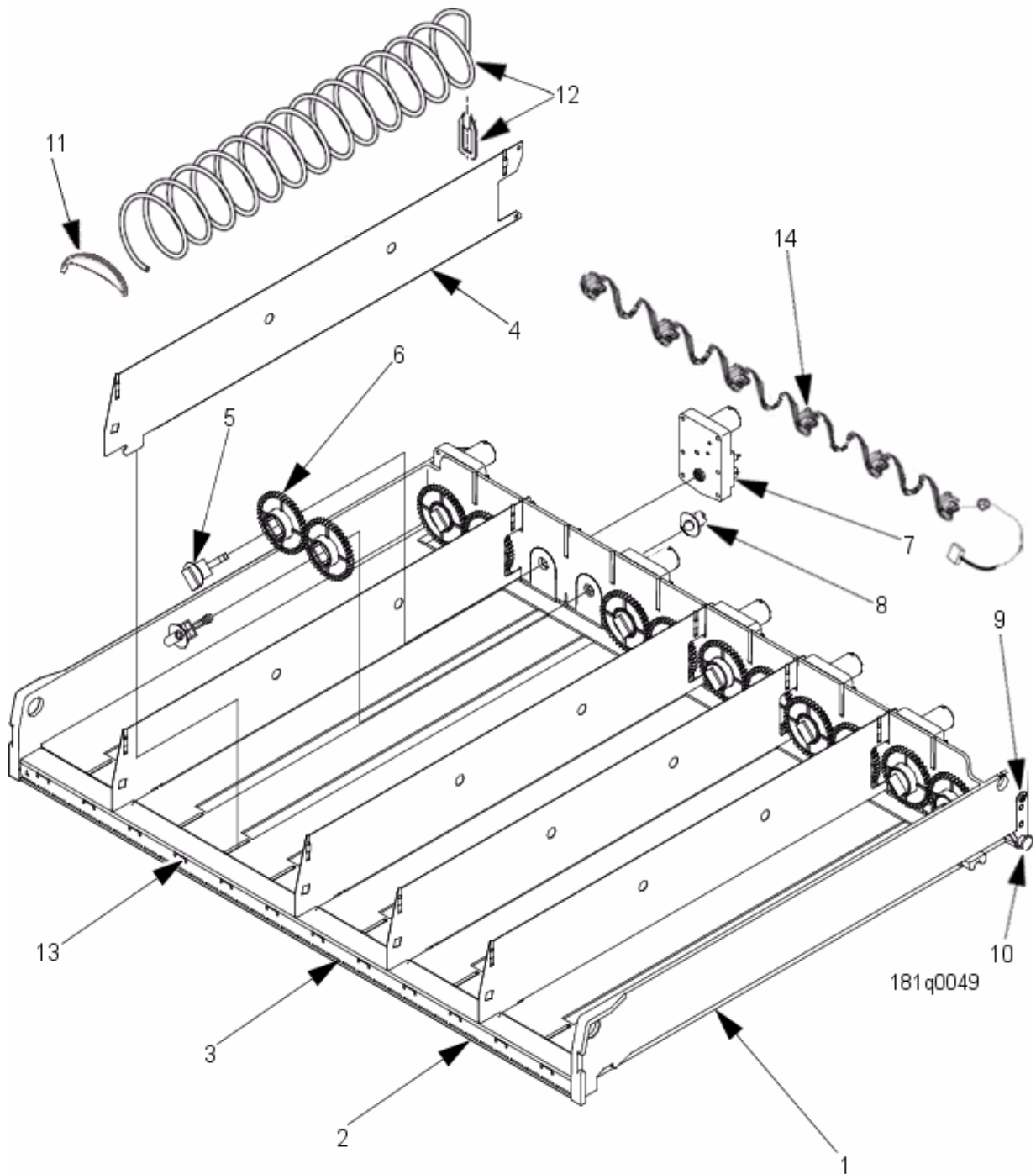


FIGURE 16: POWER PANEL ASSEMBLY - JAPAN - 100V-50/60HZ

TABLE 16: POWER PANEL ASSEMBLY - JAPAN - 100V - 50/60HZ

INDEX	PART NUMBER	DESCRIPTION	QTY
--	1571203	POWER PANEL ASSY-100V-50/60HZ	--
1	9989120	FILTER-POWER LINE-EMI	1
2	9989100	INTERFERENCE FILTER	1
3	9900081	NUT #8-32 KEPS ZINC PLATE	10
4	9989046	TANSFORMER-24V-DUAL PIR.-.187 TERM.	1
5	9984094	WIRE-GROUND-14"	1
6	9989674	CIRCUIT BREAKER-4 AMP	1
7	1709001	JUMPER-TRANSFORMER-120V-PRM.	1
8	9989672	BREAKER-15 AMP	1
9	1679055	HARNESS-POWER PANEL	1
10	9989529	LEAKAGE CURRENT BREAKER	1
11	1709006	JUMPER-MAIN SWITCH TO BREAKER	1
12	1571204	PLATE-HOUSING-PANEL-JAPANESE	1
13	1679062	JUMPER-GFI & FILTER	1



181q0049

FIGURE 17: SNACK TRAY

TABLE 17: SNACK TRAY

INDEX	180/980	181/981	DESCRIPTION	180/ 980 QTY	181/ 981 QTY
1	1807000	1817000	TRAY-SNACK ASSEMBLY (NO SPIRALS)	--	--
	1807022	1817022	MOLDED TRAY-WITH AXLE	--	--
	1807003	1817003	MOLDED TRAY ONLY-26.84 DEEP	--	--
2	1807004	1817004	RAIL-PRICE & SEL	1	1
3	1807005	1817005	HOLDER-PRICE ROLL	1	1
4	1477175	1477175	WALL-TRAY	3	5
5	1477113	1477113	COUPLING-SPIRAL	8	12
6	1477020	1477020	GEAR-TRAY	8	12
7	1577038	1577038	MOTOR & PC BOARD ASSEMBLY	4	6
8	1477022	1477022	BEARING-COUPLER	4	6
9	--	1817033	STRAP SUPPORT AXLE STOP	2	2
10	1817010	1817034	AXLE-TRAY	2	2
11	1477074	1477074	PUSHER-PRODUCT		
12			SPIRAL ASSEMBLY (SEE PAGE 38 FOR DETAILS)		
13			ITEM LABELS & PRICE SCROLL (SEE PAGE 34 FOR DETAILS)		
14	1809007	1819032	HARNESS-MTR-SHORT	1	1

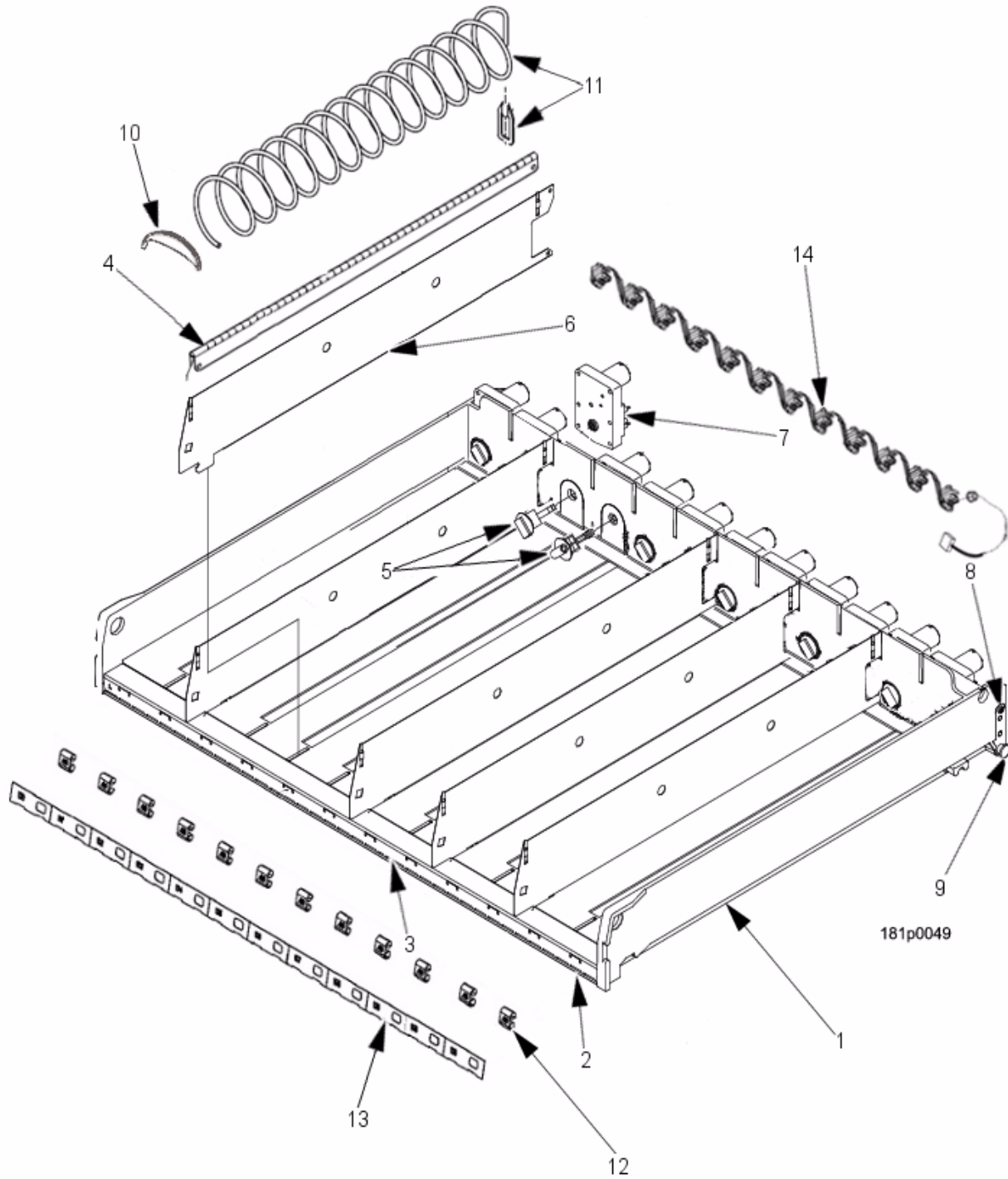


FIGURE 18: CANDY TRAY

TABLE 18: CANDY TRAY

INDEX	180/980	181/981	DESCRIPTION	180/ 980 QTY	181/ 981 QTY
1	1807001	1817001	TRAY-CANDY ASSEMBLY (NO SPIRALS)		
--	1807022	1817022	MOLDED TRAY-WITH AXLE		
--	1807003	1817003	MOLDED TRAY ONLY-26.84 DEEP		
2	1807004	1817004	RAIL-PRICE & SEL	1	1
3	1807005	1817005	HOLDER-PRICE ROLL	1	1
4	1677193	1677193	SPACER-ADJUSTABLE	2	2
5	1477113	1477113	COUPLING-SPIRAL	8	12
6	1477175	1477175	WALL-TRAY	7	11
7	1577038	1577038	MOTOR & PC BOARD ASSEMBLY	8	12
8	--	1817033	STRAP SUPPORT AXLE STOP	--	2
9	1817010	1817034	AXLE-TRAY	2	2
10	1477074	1477074	PUSHER-PRODUCT	--	--
11	--	--	SPIRAL ASSEMBLY (SEE PAGE 38 FOR DETAILS)	--	--
12	AP17400153	AP17400153	ROLL-PRICE, SELF COILING, \$.40 - \$2.40	OPT	OPT
	80388674001	80388674001	ROLL-PRICE, SELF COILING, \$2.40 - \$4.35		
	1477014	1477014	ROLL-PRICE CENTS		
	1477015	1477015	ROLL-PRICE DOLLARS		
	AP17400185	AP17400185	ROLL-PRICE, SELF COILING - UK		
	AP17400186	AP17400186	ROLL-PRICE, SELF COILING - AUS		
	AP17400188	AP17400188	ROLL-PRICE, SELF COILING - MEX		
13	1817041	1817041	LABEL ITEM NUMBERS-100'S	1	1
	1817042	1817042	LABEL ITEM NUMBERS-200'S	1	1
	1817043	1817043	LABEL ITEM NUMBERS-300'S	1	1
	1817044	1817044	LABEL ITEM NUMBERS-400'S	1	1
	1817045	1817045	LABEL ITEM NUMBERS-500'S		1
	1817046	1817046	LABEL ITEM NUMBERS-600'S	1	1
	1817047	1817047	LABEL ITEM NUMBERS-700'S	1	1
14	1809008	1819033	HARNES-MTR TRAY-SHORT	1	1

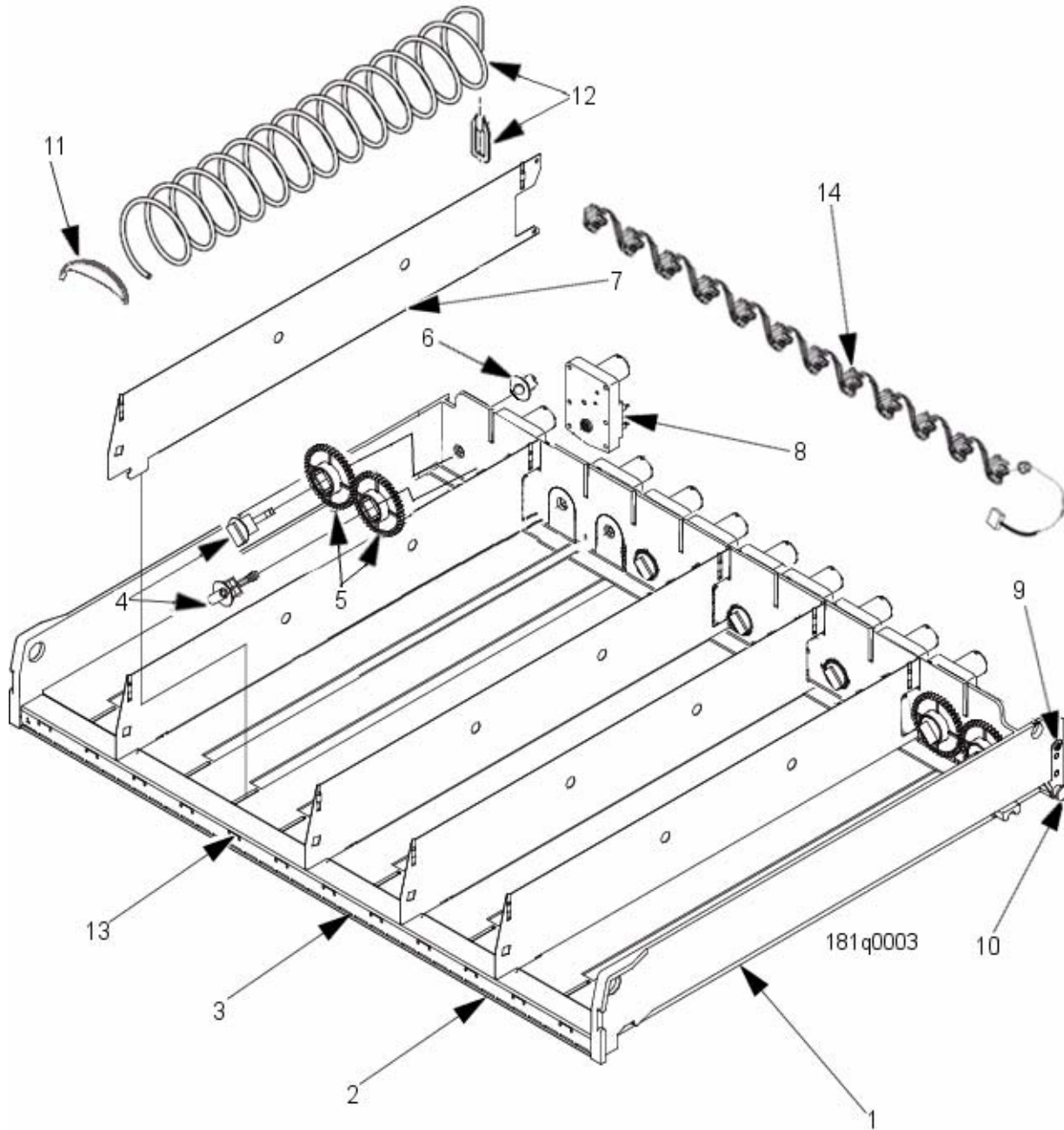


FIGURE 19: SQUAT TRAY

TABLE 19: SQUAT TRAY

INDEX	180/980	181/981	DESCRIPTION	180/ 980 QTY	181/ 981 QTY
1	1807002	1817002	TRAY-SQUAT ASSEMBLY (NO SPIRALS)		
--	1807022	1817022	MOLDED TRAY-WITH AXLE		
--	1807003	1817003	MOLDED TRAY ONLY-26.84 DEEP		
2	1807004	1817004	RAIL-PRICE & SEL	1	1
3	1807005	1817005	HOLDER-PRICE ROLL	1	1
4	1477113	1477113	COUPLING-SPIRAL	8	12
5	1477020	1477020	GEAR-TRAY	4	4
6	1477022	1477022	BEARING-COUPLER	2	2
7	1817011	1817011	WALL-TRAY-G&M	5	9
8	1577038	1577038	MOTOR & PC BOARD ASSEMBLY	6	10
9	--	1817033	STRAP SUPPORT AXLE STOP	--	2
10	1817010	1817034	AXLE-TRAY	2	2
11	1477074	1477074	PUSHER-PRODUCT		
12			SPIRAL ASSEMBLY (SEE PAGE 38 FOR DETAILS)		
13			ITEM LABELS & PRICE SCROLL (SEE PAGE 34 FOR DETAILS)		
14	1809008	1819033	HARNESS-12 MTR TRAY-SHORT	1	1

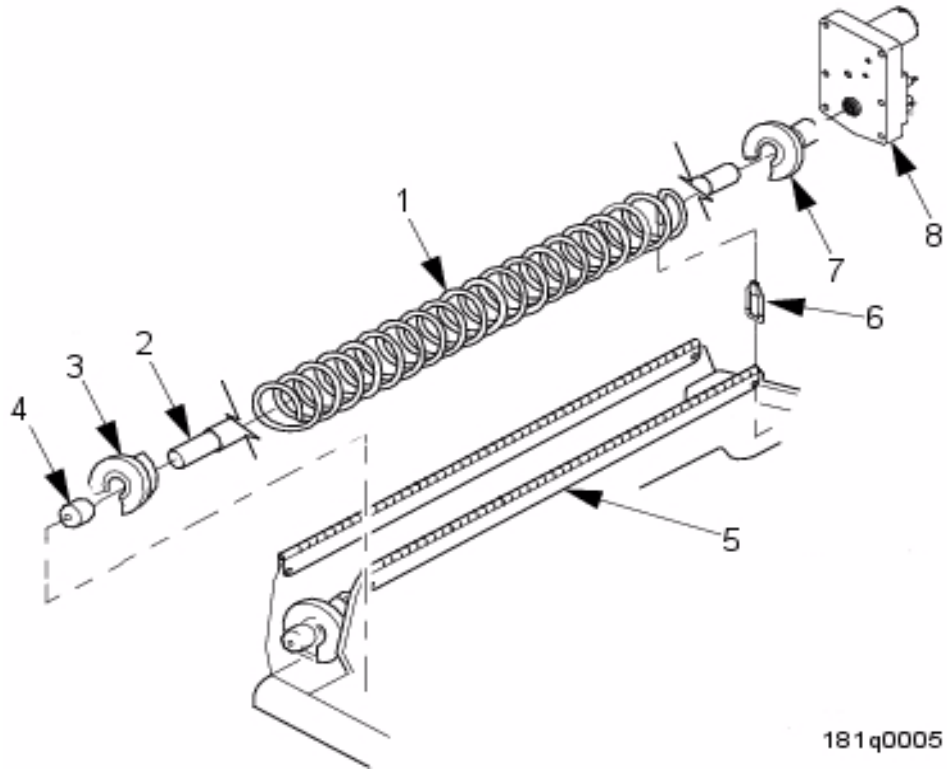


FIGURE 20: HALF CYCLE GUM & MINT SPRIAL ASSEMBLY

TABLE 20: HALF CYCLE GUM & MINT SPRIAL ASSEMBLY

INDEX	PART NUMBER	DESCRIPTION	QTY
1	--	SPIRAL (SEE PAGE 38 FOR DETAILS)	
2	1677004	SPIRAL INSERT ASSY-BLACK	2
3	1467129	DISC-SPIRAL INSERT	2
4	1677005	CAP-SPIRAL INSERT-BLACK	4
5	1677193	SPACER-ADJUSTABLE	4
6		RETAINER-SPIRAL (SEE PAGE 38 OR DETAILS)	
7	1467130	DISC-SPIRAL INSERT	2
8	1477114	MOTOR & PCB ASSEMBLY	2

TABLE 21: SPIRAL OPTIONS 35" DEEP MACHINE

MODELS 180, 181, 980, 981						
		COUNTER CLOCKWISE (LEFT HAND)		CLOCKWISE (RIGHT HAND)		
SPIRAL COUNT	RETAINER COLOR	ASSEMBLY	SPIRAL	ASSEMBLY	SPIRAL	RETAINER
5	ORANGE	1677182	1477178	1677181	1477179	1467137
6	PURPLE	1477103	1477102	1477105	1474104	1477107
9	GRAY	1477152	1477153	1477149	1477150	1477155
11	BLUE	1477023	1477024	1477026	1477027	1457061
13	YELLOW	1477029	1477030	1477032	1477033	1457062
15	RED	1477035	1477036	1477038	1477039	1457063
17	BROWN	1477101	1477100	1477099	1477098	1477106
20	WHITE	1477041	1477042	1477044	1477045	1457064
25	GREEN	1477047	1477048	1477050	1477051	1457065
30	BLACK	1477053	1477054	1477056	1477057	1477073
38	ORANGE	1477059	1477060	1477062	1471063	1467137

TABLE 22: SPIRAL OPTIONS 28" DEEP MACHINE

MODELS 448, 449						
		COUNTER CLOCKWISE (LEFT HAND)		CLOCKWISE (RIGHT HAND)		
SPIRAL COUNT	RETAINER COLOR	ASSEMBLY	SPIRAL	ASSEMBLY	SPIRAL	RETAINER
4	GREEN	1707049	1707048	1707051	1707050	1457065
5	TAN	1707045	1707044	1707047	1707046	4407817
6	PURPLE	1707041	1707040	1707043	1707042	1477107
7	BROWN	1707058	1707057	1707060	1707059	1477106
8	GRAY	1707016	1707017	1707018	1707019	1477155
10	BLUE	1707004	1707005	1707006	1707007	1457061
12	YELLOW	1707008	1707009	1707010	1707011	1457062
14	RED	1707012	1707013	1707014	1707015	1457063
18	WHITE	1707020	1707021	1707022	1707023	1457064

TABLE 23: WIRE HARNESSSES

CONNECTOR	DESCRIPTION	PART NUMBER
MAIN CONTROLLER		
J3	HARNESS 24 VAC PCB	1819013
J10	HARNESS-M/CNTRL TO OPTREX	1819030
J36	HARNESS-DEX PANEL MT	1819016
J39	HARNESS KEYPAD	1819015
DISPLAY		
J1	HARNESS KEYPAD	1819012
J2	HARNESS KEYPAD	1819012
J5	HARNESS-M/CONTRL TO OPTREX	1819030
SUREVEND		
SUREVEND DETECTOR PCB		
J1	HRN DRVR BRD SUREVEND	1819007
J2	HARNESS-EMITTER TO DETECTOR	1679013
SUREVEND EMITER PCB		
J1	HARNESS-EMITTER TO DETECTOR	1679013
FLOURESCENT LIGHT		
HARNESS-BALLAST 2X32T8		
HARNESS-LAMP PWR/JUMPER		
HARNESS FLOURESCENT T8		
EXHAUST FAN		
HARNESS-POWER TO EX.FAN		
MAIN POWER CORD		
CORD-US-15A 18AWG INL GFCI		
1819025		

WIRE HARNESSSES - CONTINUED

CONNECTOR	DESCRIPTION	PART NUMBER
	MERCHANT MOTOR CONTROLLER	
J1	HARN MDB	1819015
J3	HRN DRVR BRD SUREVEND	1819007
J6	HARN COIN RETURN MOTOR	1819018
J13	HARNESS-DOOR SWITCH	1819017
TRAY 1	HARNESS-6 MTR TRAY-SHORT	1819032
	HARNESS-6 MTR TRAY-LONG	1819023
	HARNESS-4MTR TRAY-SHORT	1809007
	HARNESS-4MTR TRAY-LONG	1809006
TRAY 2	HARNESS-6 MTR TRAY-SHORT	1819032
	HARNESS-6 MTR TRAY-LONG	1819023
	HARNESS-4 MTR TRAY-SHORT	1809007
	HARNESS-4 MTR TRAY-LONG	1809006
TRAY 3	HARNESS-6-MTR TRAY-SHORT	1819032
	HARNESS-6 MTR TRAY-LONG	1819023
	HARNESS-4 MTR TRAY-SHORT	1809007
	HARNESS-4 MTR TRAY-LONG	1809006
TRAY 4	HARNESS-12-MTR TRAY-SHORT	1819033
	HARNESS-12 MTR TRAY-LONG	1819022
	HARNESS-8 MTR TRAY-SHORT	1809008
	HARNESS-8 MTR TRAY-LONG	1819005
TRAY 5	HARNESS-12-MTR TRAY-SHORT	1819033
	HARNESS-12 MTR TRAY-LONG	1819022
	HARNESS-8 MTR TRAY-SHORT	1809008
	HARNESS-8 MTR TRAY-LONG	1819005
TRAY 6	HARNESS-6-MTR TRAY-SHORT	1819032
	HARNESS-6 MTR TRAY-LONG	1819023
	HARNESS-4 MTR TRAY-SHORT	1809007
	HARNESS-4 MTR TRAY-LONG	1809006
TRAY 7	HARNESS-12-MTR TRAY-SHORT	1819033
	HARNESS-12 MTR TRAY-LONG	1819022
	HARNESS-8 MTR TRAY-SHORT	1809008
	HARNESS-8 MTR TRAY-LONG	1819005

TABLE 24: BAG ASSEMBLY COMPONENTS

PART NUMBER	DESCRIPTION
B1810000	BAG ASSEMBLY:15
WD181000	WIRE DIAGRAM 181 SNACK
1477074	PUSHER-PRODUCT
1477083	RETAINER-SPIRAL-WALL
1810025	181 / 981 OPERATOR'S GUIDE
1817041	LABEL ITEM NUMBERS-100'S
1817042	LABEL ITEM NUMBERS-200'S
1817043	LABEL ITEM NUMBERS-300'S
1817044	LABEL ITEM NUMBERS-400'S
1817045	LABEL ITEM NUMBERS-500'S
1817046	LABEL ITEM NUMBERS-600'S
1817047	LABEL ITEM NUMBERS-700'S
1817048	LABEL-PRESS SEL FOR PRICE

Merchant Parts Manual

Part Number Index

Part Number	Page	Part Number	Page	Part Number	Page
1211110	24	1477105	38	1707042	38
1401110	18	1477106	38	1707043	38
1451097	4	1477107	38	1707044	38
1457027	6	1477113	32, 34, 36	1707045	38
1457061	38	1477114	37	1707046	38
1457062	38	1477149	38	1707047	38
1457063	38	1477150	38	1707048	38
1457064	38	1477152	38	1707049	38
1457065	38	1477153	38	1707050	38
1467129	37	1477155	38	1707051	38
1467130	37	1477175	32, 34	1707057	38
1467137	38	1477178	38	1707058	38
1471054	16	1477179	38	1707059	38
1471063	38	1571034	18	1707060	38
1471199	18	1571203	30	1709001	26, 28, 30
1471398	16	1571204	30	1709006	26, 30
1474104	38	1575003	12	1709016	39
1477014	34	1575035	2	1800815	16
1477015	34	1577008	4	1801008	18
1477020	32, 36	1577038	6, 32, 34, 36	1801027	18
1477022	32, 36	1671022	18	1801049	16
1477023	38	1671041	12	1801091	18
1477024	38	167217	14	1802002	4
1477026	38	1672177	14	1802017	4
1477027	38	1672178	14	1802045	10
1477029	38	1677004	37	1802055	16
1477030	38	1677005	37	1802056	4
1477032	38	1677181	38	1802057	16
1477033	38	1677182	38	1802058	4
1477035	38	1677193	34, 37	1802061	4
1477036	38	1679013	4, 39	1802063	4
1477038	38	1679055	26, 28, 30	1807000	32
1477039	38	1679062	30	1807001	34
1477041	38	1701037	24, 26	1807002	36
1477042	38	1701038	24	1807003	32, 34, 36
1477044	38	1707004	38	1807004	32, 34, 36
1477045	38	1707005	38	1807005	32, 34, 36
1477047	38	1707006	38	1807022	32, 34, 36
1477048	38	1707007	38	1809006	40
1477050	38	1707008	38	1809007	22, 32, 40
1477051	38	1707009	38	1809008	22, 34, 36, 40
1477053	38	1707010	38	1810025	41
1477054	38	1707011	38	1810815	16
1477056	38	1707012	38	1811007	18
1477057	38	1707013	38	1811008	18
1477059	38	1707014	38	1811036	18
1477060	38	1707015	38	1811049	16
1477062	38	1707016	38	1811066	10
1477073	38	1707017	38	1811068	10
1477074	32, 34, 36, 41	1707018	38	1811072	4
1477083	41	1707019	38	1811073	13
1477098	38	1707020	38	1811076	13
1477099	38	1707021	38	1811078	18
1477100	38	1707022	38	1811081	18
1477101	38	1707023	38	1811082	4
1477102	38	1707040	38	1811084	10
1477103	38	1707041	38	1811085	14

Merchant Parts Manual

Part Number Index

Part Number	Page	Part Number	Page	Part Number	Page
1811086	18, 24	1816006	2	4521036	28
1811090	16	1816011	4	4521041	28
1811091	18	1816016	4	4521053	26
1811096	13	1816018	10	4551153	16
1811099	14	1816024	18, 22	4551154	16
1811100	16	1816026	18, 20	4741050	16
1812002	4	1817000	32	4747171	2
1812007	4	1817001	34	5900453	12
1812008	4	1817002	36	5900514	12
1812009	4	1817003	32, 34, 36	6331073	16
1812010	4	1817004	32, 34, 36	6849015	26, 28
1812011	4	1817005	32, 34, 36	80388674001	34
1812012	4	1817010	32, 34, 36	9331026	14
1812017	4	1817011	36	9815053	2
1812035	4	1817012	16	9900020	16
1812040	4	1817014	16	9900078	24
1812044	10	1817022	32, 34, 36	990008	4
1812045	10	1817033	32, 34, 36	9900081	2, 4, 6, 12, 24, 26, 30
1812046	10	1817034	32, 34, 36	9900098	16
1812055	16	1817041	34, 41	9900107	24
1812056	4	1817042	34, 41	9900115	4
1812057	16	1817043	34, 41	9900425	4
1812058	4	1817044	34, 41	9984094	26, 28, 30
1812059	4	1817045	34, 41	9984627	28
1812060	16	1817046	34, 41	9984629	24, 26
1812061	4	1817047	34, 41	9984692	24
1812063	4	1817048	41	9985051	14
1815007	2	1819005	40	9989046	24, 26, 28, 30
1815018	2	1819007	22, 39, 40	9989100	24, 26, 28, 30
1815021	2	1819012	39	9989120	26, 28, 30
1815028	6	1819013	20, 39	9989529	30
1815036	6	1819015	20, 22, 39, 40	9989672	26, 30
1815038	2	1819016	20, 39	9989674	24, 26, 28, 30
1815039	6	1819017	22, 40	9994400	8
1815053	2	1819018	22, 40	9995400	8
1815054	2	1819019	13, 39		
1815062	18	1819020	39	A	
1815072	10	1819021	39	AP16700030	24
1815084	12	1819022	40	AP17100007	20
1815088	2	1819023	40	AP17400153	34
1815096	8	1819025	24, 39	AP17400185	34
1815097	8	1819026	10	AP17400186	34
1815099	10	1819029	22, 24	AP17400188	34
1815104	10	1819030	20, 39	AP380303	24
1815106	2	1819031	24	AP420295	4
1815107	2	1819032	22, 32, 40	AP420295	4
1815108	2	1819033	22, 34, 36, 40	AP438-41	4
1815109	2	3157060	10, 12, 16, 18, 24	B	
1815110	2	4247114	8	B1810000	41
1815111	2	4279001	28	P	
1815112	2	4307029	8	P1811001	18
1815113	2	4322065	13	W	
1815114	2	4325163	2	W953	16
1815118	8	4329069	14	WD181000	41
1815121	2	4407712	6		
1815124	2	4407817	38		

